



MIAMI-DADE
BUILDING CODE COMPLIANCE OFFICE (BCCO)
PRODUCT CONTROL DIVISION

MIAMI-DADE COUNTY, FLORIDA
METRO-DADE FLAGLER BUILDING
140 WEST FLAGLER STREET, SUITE 1603
MIAMI, FLORIDA 33130-1563
(305) 375-2901 FAX (305) 375-2908

NOTICE OF ACCEPTANCE (NOA)

E.S. Windows
10653 N.E. Quaybridge Ct.
Miami, FL 33158

SCOPE:

This NOA is being issued under the applicable rules and regulations governing the use of construction materials. The documentation submitted has been reviewed by Miami-Dade County Product Control Division and accepted by the Board of Rules and Appeals (BORA) to be used in Miami Dade County and other areas where allowed by the Authority Having Jurisdiction (AHJ).

This NOA shall not be valid after the expiration date stated below. The Miami-Dade County Product Control Division (In Miami Dade County) and/or the AHJ (in areas other than Miami Dade County) reserve the right to have this product or material tested for quality assurance purposes. If this product or material fails to perform in the accepted manner, the manufacturer will incur the expense of such testing and the AHJ may immediately revoke, modify, or suspend the use of such product or material within their jurisdiction. BORA reserves the right to revoke this acceptance, if it is determined by Miami-Dade County Product Control Division that this product or material fails to meet the requirements of the applicable building code.

This product is approved as described herein, and has been designed to comply with the Florida Building Code, including the High Velocity Hurricane Zone.

DESCRIPTION: Aluminum Outswing French Door

APPROVAL DOCUMENT: Drawing No. **W04-51**, titled "Series-4000 Alum Outswing French Door-Impact ", sheets 1 thru 6 of 6, prepared by AL-Farooq Corporation, dated 06/10/04 with revision "A" on 08/06/04, signed by sealed by Humayoun Farooq, P.E., bearing the Miami-Dade County Product Control Approval stamp with the Notice of Acceptance number and approval date by the Miami-Dade County Product Control Division.

MISSILE IMPACT RATING: Large and Small Missile Impact

LABELING: Each unit shall bear a permanent label with the manufacturer's name or logo, city, state and following statement: "Miami-Dade County Product Control Approved", unless otherwise noted herein.

RENEWAL of this NOA shall be considered after a renewal application has been filed and there has been no change in the applicable building code negatively affecting the performance of this product.

TERMINATION of this NOA will occur after the expiration date or if there has been a revision or change in the materials, use, and/or manufacture of the product or process. Misuse of this NOA as an endorsement of any product, for sales, advertising or any other purposes shall automatically terminate this NOA. Failure to comply with any section of this NOA shall be cause for termination and removal of NOA.

ADVERTISEMENT: The NOA number preceded by the words Miami-Dade County, Florida, and followed by the expiration date may be displayed in advertising literature. If any portion of the NOA is displayed, then it shall be done in its entirety.

INSPECTION: A copy of this entire NOA shall be provided to the user by the manufacturer or its distributors and shall be available for inspection at the job site at the request of the Building Official.

This NOA consists of this page 1 and evidence pages E-1 and E-2, as well as approval document mentioned above.

The submitted documentation was reviewed by **Herminio F. Gonzalez, P.E., Director, BCCO**



NOA No 04-0712.02
Expiration Date: September 16, 2009
Approval Date: September 16, 2004
Page 1



**BUILDING CODE COMPLIANCE OFFICE (BCCO)
PRODUCT CONTROL DIVISION**

**MIAMI-DADE COUNTY, FLORIDA
METRO-DADE FLAGLER BUILDING
140 WEST FLAGLER STREET, SUITE 1603
MIAMI, FLORIDA 33130-1563
(305) 375-2901 FAX (305) 375-2908**

NOTICE OF ACCEPTANCE (NOA)

**E.S. Windows
10653 N.E. Quaybridge Ct.
Miami, FL 33158**

SCOPE:

This NOA is being issued under the applicable rules and regulations governing the use of construction materials. The documentation submitted has been reviewed by Miami-Dade County Product Control Division and accepted by the Board of Rules and Appeals (BORA) to be used in Miami Dade County and other areas where allowed by the Authority Having Jurisdiction (AHJ).

This NOA shall not be valid after the expiration date stated below. The Miami-Dade County Product Control Division (In Miami Dade County) and/or the AHJ (in areas other than Miami Dade County) reserve the right to have this product or material tested for quality assurance purposes. If this product or material fails to perform in the accepted manner, the manufacturer will incur the expense of such testing and the AHJ may immediately revoke, modify, or suspend the use of such product or material within their jurisdiction. BORA reserves the right to revoke this acceptance, if it is determined by Miami-Dade County Product Control Division that this product or material fails to meet the requirements of the applicable building code.

This product is approved as described herein, and has been designed to comply with the Florida Building Code, including the High Velocity Hurricane Zone.

DESCRIPTION: Aluminum Outswing French Door

APPROVAL DOCUMENT: Drawing No. **W04-51**, titled "Series-4000 Alum Outswing French Door-Impact ", sheets 1 thru 6 of 6, prepared by AL-Farooq Corporation, dated 06/10/04 with revision "A" on 08/06/04, signed by sealed by Humayoun Farooq, P.E., bearing the Miami-Dade County Product Control Approval stamp with the Notice of Acceptance number and approval date by the Miami-Dade County Product Control Division.

MISSILE IMPACT RATING: Large and Small Missile Impact

LABELING: Each unit shall bear a permanent label with the manufacturer's name or logo, city, state and following statement: "Miami-Dade County Product Control Approved", unless otherwise noted herein.

RENEWAL of this NOA shall be considered after a renewal application has been filed and there has been no change in the applicable building code negatively affecting the performance of this product.

TERMINATION of this NOA will occur after the expiration date or if there has been a revision or change in the materials, use, and/or manufacture of the product or process. Misuse of this NOA as an endorsement of any product, for sales, advertising or any other purposes shall automatically terminate this NOA. Failure to comply with any section of this NOA shall be cause for termination and removal of NOA.

ADVERTISEMENT: The NOA number preceded by the words Miami-Dade County, Florida, and followed by the expiration date may be displayed in advertising literature. If any portion of the NOA is displayed, then it shall be done in its entirety.

INSPECTION: A copy of this entire NOA shall be provided to the user by the manufacturer or its distributors and shall be available for inspection at the job site at the request of the Building Official.

This NOA consists of this page 1 and evidence pages E-1 and E-2, as well as approval document mentioned above.

The submitted documentation was reviewed by **Herminio F. Gonzalez, P.E., Director, BCCO**

Handwritten signature and date: JFM 8/25/04



**NOA No 04-0712.02
Expiration Date: September 16, 2009
Approval Date: September 16, 2004
Page 1**

E.S. Windows

NOTICE OF ACCEPTANCE: EVIDENCE SUBMITTED

A. DRAWINGS

1. Manufacturer's die drawings and sections.
2. Drawing No. **W04-51**, titled "Series-4000 Alum Outswing French Door-Impact", Sheets 1 thru 6 of 6, prepared by AL-Farooq Corporation, dated 06/10/04 with revision "A" on 08/06/04, signed and sealed by Humayoun Farooq, P.E.

B. TESTS

1. Test reports on
 - 1) Air Infiltration Test, per FBC, TAS 202-94
 - 2) Uniform Static Air Pressure Test, Loading per FBC, TAS 202-94
 - 3) Water Resistance Test, per FBC, TAS 202-94
 - 4) Large Missile Impact Test, FBC, TAS 201-94
 - 5) Cyclic Loading Test, per FBC, TAS 203-94
 - 6) Forced Entry Test, per FBC 2411 3.2.1 and TAS 202-94along with marked-up drawing and installation diagram of a aluminum outswing french door, prepared by Fenestration Testing Laboratory, Inc., No. **FTL-3947**, dated 02/04/04, signed and sealed by Edmundo J. Largaespada, P.E.
2. Test reports on
 - 1) Air Infiltration Test, per FBC, TAS 202-94
 - 2) Uniform Static Air Pressure Test, Loading per FBC, TAS 202-94
 - 3) Water Resistance Test, per FBC, TAS 202-94
 - 4) Large Missile Impact Test, FBC, TAS 201-94
 - 5) Cyclic Loading Test, per FBC, TAS 203-94
 - 6) Forced Entry Test, per FBC 2411 3.2.1 and TAS 202-94along with marked-up drawing and installation diagram of a aluminum outswing french door, prepared by Fenestration Testing Laboratory, Inc., No. **FTL-3955**, dated 02/04/04, signed and sealed by Edmundo J. Largaespada, P.E.

C. CALCULATIONS

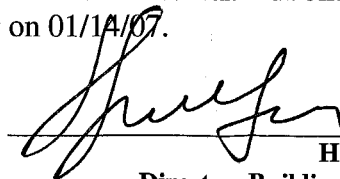
1. Anchor calculations, ASTM- E1300, and structural analysis, dated 06/09/04, prepared, signed and sealed by Humayoun Farooq, P.E.

D. QUALITY ASSURANCE

1. Miami Dade Building Code Compliance Office (BCCO).

E. MATERIAL CERTIFICATIONS

1. Notice of Acceptance No. **00-1212.04** issued to E.I. DuPont DeNemours for "Dupont Butacite® PVB" dated 02/15/01, expiring on 12/11/05.
2. Notice of Acceptance No. **01-1204.01** issued to E.I. DuPont DeNemours for "Sentry Glass ® Plus" dated 01/17/02, expiring on 01/14/07.



Herminio F. Gonzalez, P.E.
Director, Building Code Compliance Office
NOA No 04-0712.02

Expiration Date: September 16, 2009
Approval Date: September 16, 2004

E.S. Windows

NOTICE OF ACCEPTANCE: EVIDENCE SUBMITTED

F. STATEMENTS

1. Statement letter of conformance and no financial interest, June 09, 2004 signed and sealed by Humayoun Farooq, P.E.
2. Statement letter of no financial interest, June 09, 2004 signed and sealed by Humayoun Farooq, P.E.

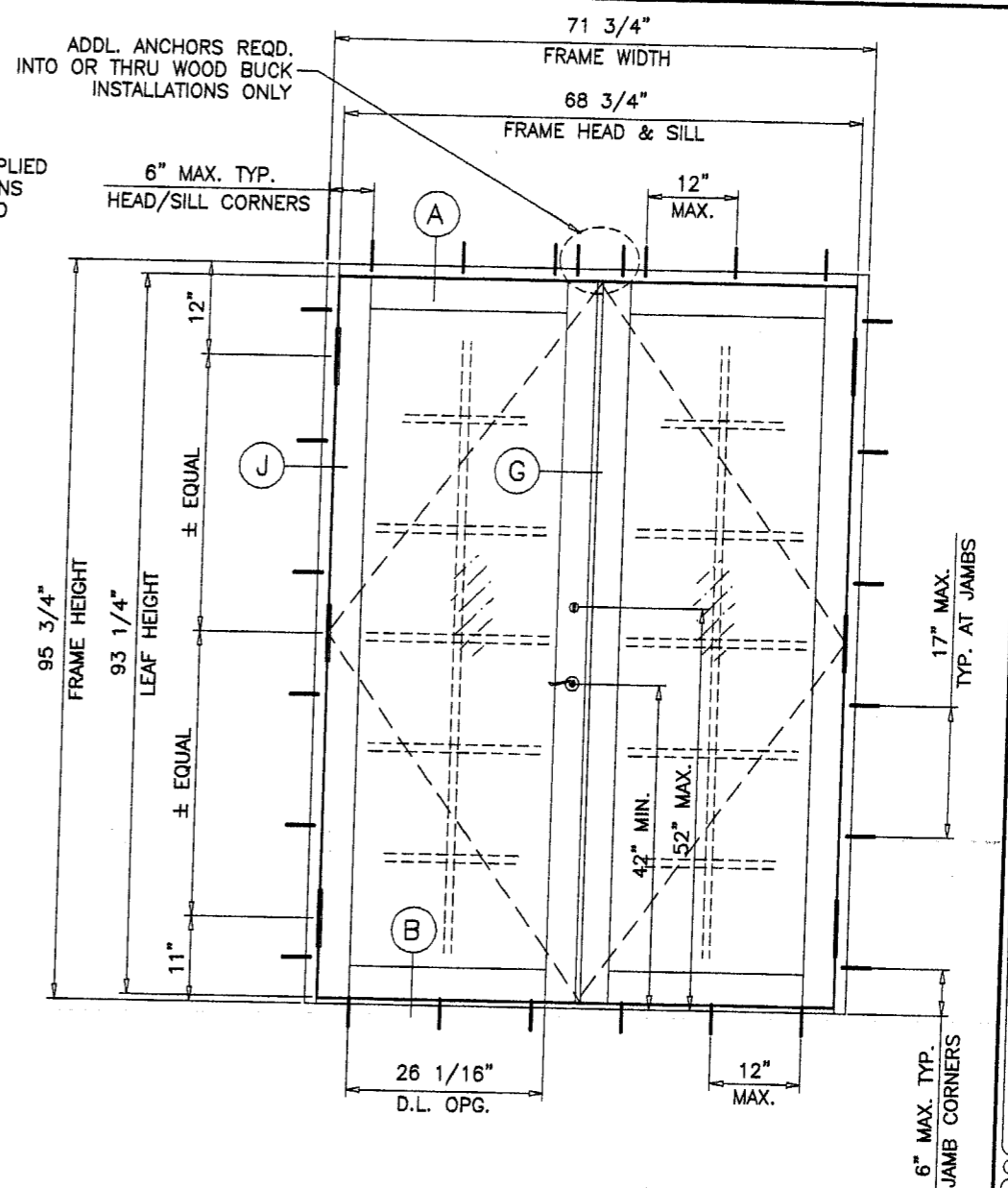
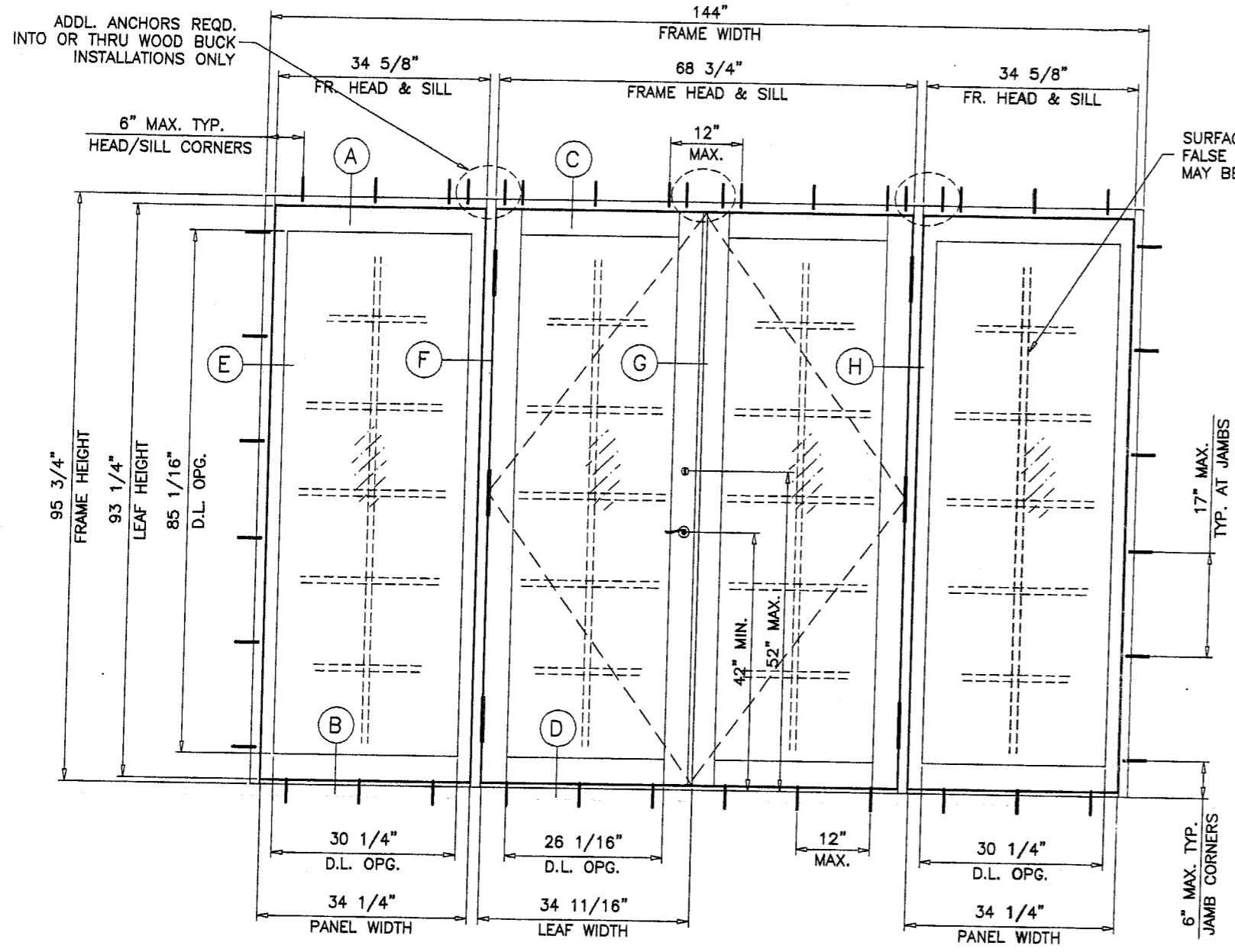
G. OTHER

1. Letter from consultant stating that the product is in compliance with the Florida Building Code (FBC).



Herminio F. Gonzalez, P.E.
Director, Building Code Compliance Office
NOA No 04-0712.02

Expiration Date: September 16, 2009
Approval Date: September 16, 2004



TYPICAL ELEVATIONS
TESTED UNITS

SERIES-4000 ALUM OUTSWING FRENCH DOOR

THESE PRODUCTS GLAZED WITH LAMINATED GLASS RATED FOR LARGE MISSILE IMPACT AND REQUIRE NO SHUTTERS.

APPROVAL APPLIES TO SINGLE (X) AND DOUBLE (XX) LEAF DOORS WITH OR WITHOUT SIDELITES. SIDE LITES CAN BE ON ONE OR BOTH SIDES OF DOOR. SEE SHEET 2 FOR DESIGN LOAD CAPACITIES.

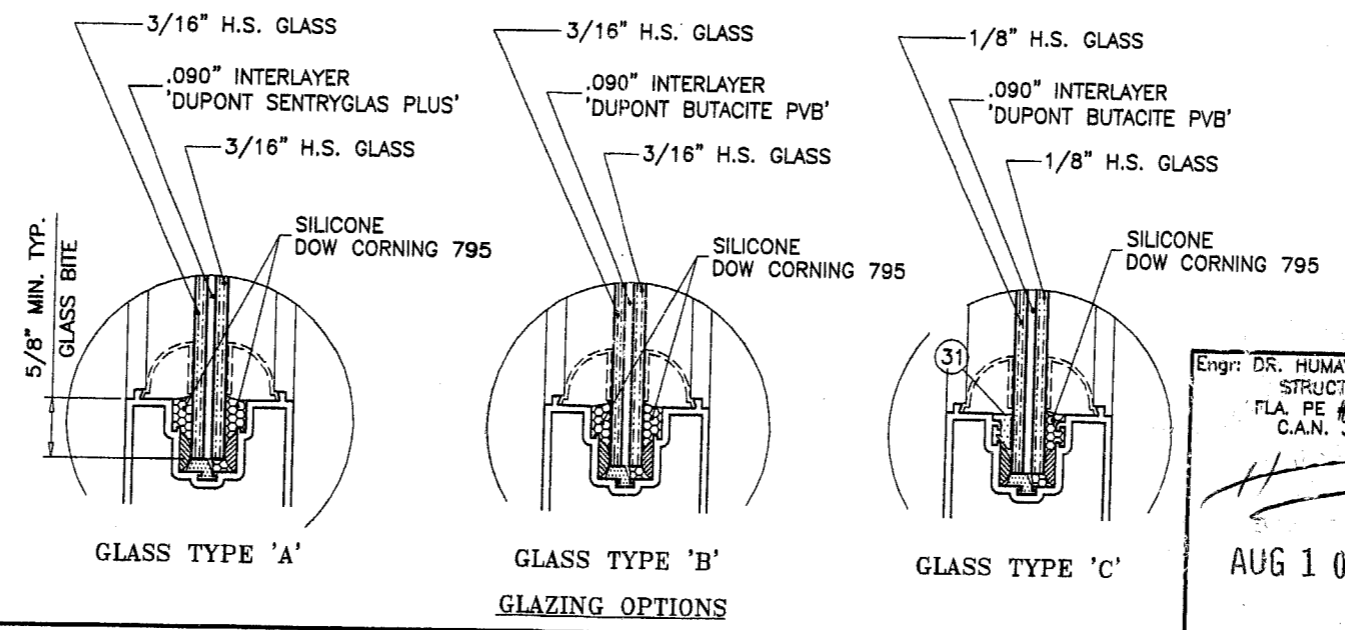
THIS PRODUCT HAS BEEN DESIGNED AND TESTED TO COMPLY WITH THE REQUIREMENTS OF THE FLORIDA BUILDING CODE INCLUDING HIGH VELOCITY HURRICANE ZONE.

WOOD BUCKS BY OTHERS, MUST BE ANCHORED PROPERLY TO TRANSFER LOADS TO THE STRUCTURE.

ANCHORS SHALL BE AS LISTED, SPACED AS SHOWN ON DETAILS. ANCHOR EMBEDMENT TO BASE MATERIAL SHALL BE BEYOND WALL DRESSING OR STUCCO.

ANCHORING OR LOADING CONDITIONS NOT SHOWN IN THESE DETAILS ARE NOT PART OF THIS APPROVAL.

A 33% INCREASE IN ALLOWABLE STRESS WAS USED IN DESIGN OF ANCHORS.



Approved as complying with the
Florida Building Code
Date 09/16/04
NOA# 04-0712-02
Miami Code Product Control
Division
By *[Signature]*

Engr: DR. HUMAYOUN FAROOQ
STRUCTURES
FLA. PE # 18567
C.A.N. 3538
AUG 10 2004

AL-FAROOQ CORPORATION
ENGINEERS, PLANNERS & PRODUCT DESIGN
1235 SW 87 AVE
MIAMI, FLORIDA 33174
TEL. (305) 264-8100 FAX. (305) 262-6978

E.S. WINDOWS
5220 N.W. 72 AVE. BAY #4
MIAMI, FL. 33166
TEL. (305) 640-9857 FAX. (305) 593-2074

SERIES-4000 ALUM OUTSWING FRENCH DOOR (IMPACT)

no.	date	description	REV. PER	COMMENTS
A	08.06.04			

revisions:

date: 06-10-04
scale: 1/2" = 1'-0"
dr. by: HAMID
chk. by:

drawing no. **W04-51**
sheet 1 of 6

COMP-ANL\W04-51ESW

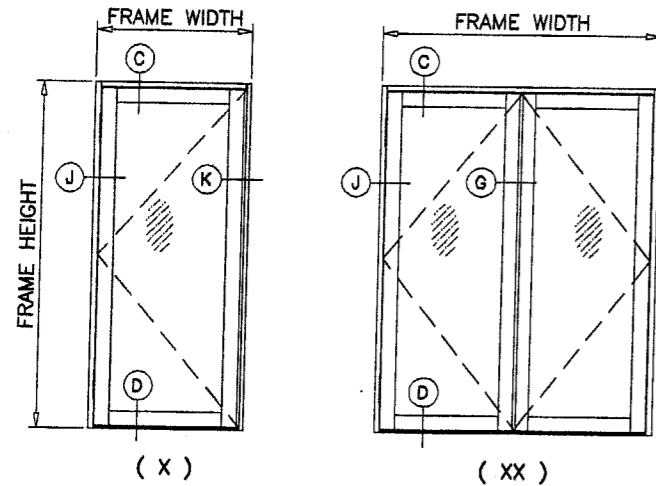
HEIGHTS:

NOMINAL HEIGHT	FRAME HEIGHT	LEAF HEIGHT	DAYLITE OPG.
6/8	79-3/4"	77-1/4"	69-1/16"
8/0	95-3/4"	93-1/4"	85-1/16"

WIDTHS:

NOMINAL WIDTH	FRAME WIDTH	LEAF WIDTH	DAYLITE OPG.
2/6 (X)	31-1/2"	28-11/16"	20-1/16"
3/0 (X)	37-1/2"	34-11/16"	26-1/16"
5/0 (XX)	59-3/4"	28-11/16"	20-1/16"
6/0 (XX)	71-3/4"	34-11/16"	26-1/16"

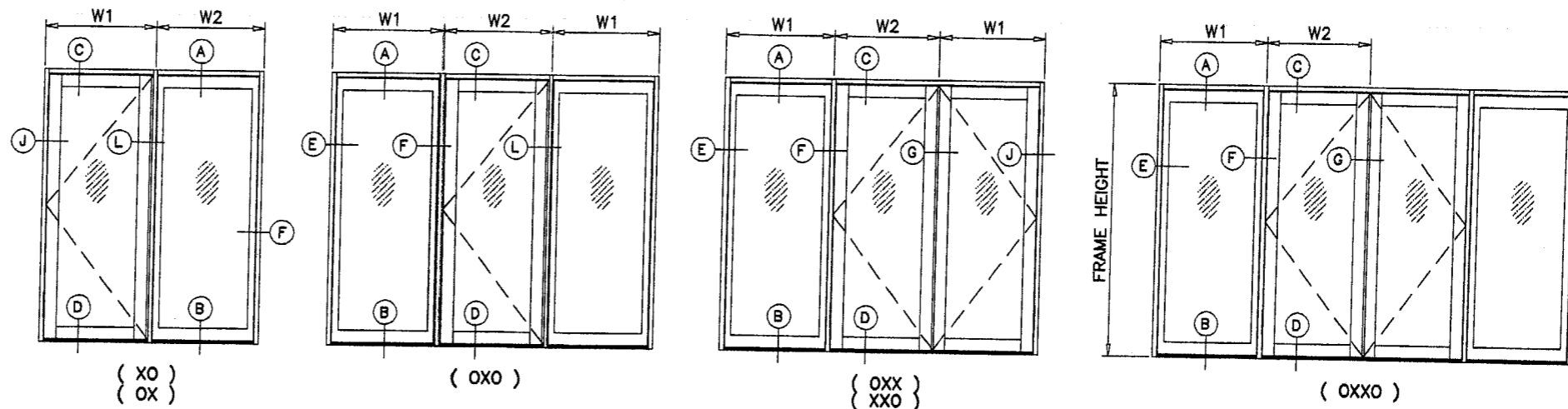
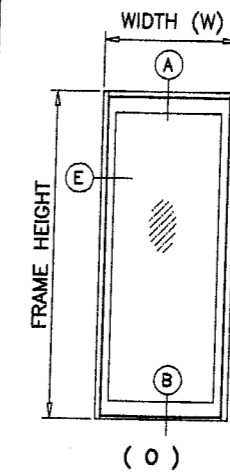
DOOR LEAFS CAN BE GLAZED WITH TYPE 'A', 'B' OR 'C' GLASS



MAXIMUM DESIGN LOAD RATING = + 70.0 PSF
(FOR DOORS WITHOUT SIDELITES) - 80.0 PSF

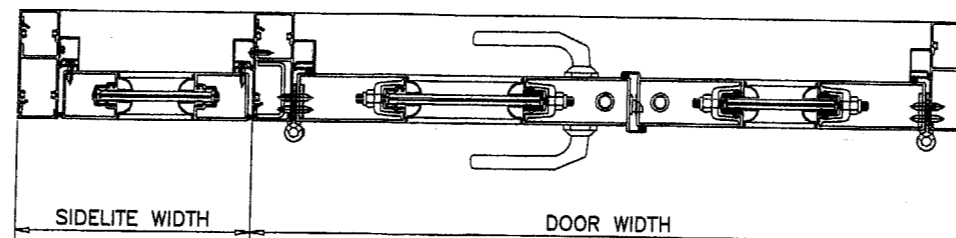
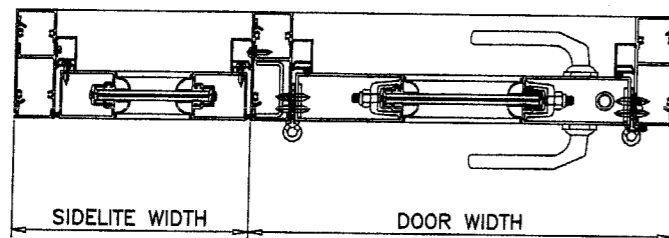
STATIONARY PANEL (O) OR DOORS WITH SIDELITES										
DESIGN LOAD CAPACITY - PSF										
WIDTH (W) INCHES	FRAME HEIGHT FT./IN.	UNREINFORCED MULLION				REINFORCED MULLION				
		GLASS TYPE 'C'		GLASS TYPE 'A' & 'B'		GLASS TYPE 'C'		GLASS TYPE 'A' & 'B'		
		EXT. (+)	INT. (-)	EXT. (+)	INT. (-)	EXT. (+)	INT. (-)	EXT. (+)	INT. (-)	
18	6/8	70.0	80.0	70.0	80.0	70.0	80.0	70.0	80.0	
21		70.0	80.0	70.0	80.0	70.0	80.0	70.0	80.0	
24		70.0	80.0	70.0	80.0	70.0	80.0	70.0	80.0	
27		70.0	80.0	70.0	80.0	70.0	80.0	70.0	80.0	
30		70.0	80.0	70.0	80.0	70.0	80.0	70.0	80.0	
33		70.0	80.0	70.0	80.0	70.0	80.0	70.0	80.0	
36		70.0	73.2	70.0	80.0	70.0	73.2	70.0	80.0	
39		65.8	65.8	70.0	80.0	65.8	65.8	70.0	80.0	
42		70.0	74.2	70.0	80.0	70.0	74.2	70.0	80.0	
18		7/0	70.0	80.0	70.0	80.0	70.0	80.0	70.0	80.0
21	70.0		80.0	70.0	80.0	70.0	80.0	70.0	80.0	
24	70.0		80.0	70.0	80.0	70.0	80.0	70.0	80.0	
27	70.0		80.0	70.0	80.0	70.0	80.0	70.0	80.0	
30	70.0		80.0	70.0	80.0	70.0	80.0	70.0	80.0	
33	70.0		80.0	70.0	80.0	70.0	80.0	70.0	80.0	
36	69.4		69.4	70.0	80.0	69.4	69.4	70.0	80.0	
39	62.2		62.2	70.0	80.0	62.2	62.2	70.0	80.0	
18	8/0		70.0	78.9	70.0	78.9	70.0	80.0	70.0	80.0
21			70.0	74.8	70.0	74.8	70.0	80.0	70.0	80.0
24		70.0	71.1	70.0	71.1	70.0	80.0	70.0	80.0	
27		67.9	67.9	67.9	67.9	70.0	80.0	70.0	80.0	
30		65.0	65.0	65.0	65.0	70.0	80.0	70.0	80.0	
33		62.4	62.4	62.4	62.4	70.0	76.8	70.0	78.9	
36		60.1	60.1	60.1	60.1	62.2	62.2	70.0	76.0	

Approved as complying with the Florida Building Code
Date 09/16/04
NOA# 04-0312-02
Miami Dade Product Control Division
By *[Signature]*



WIDTH (W) = $\frac{W1 + W2}{2}$
(FOR DOORS WITH SIDELITES)

MAX. DOOR LEAF WIDTH = 34-11/16"
SEE CHART AT TOP LEFT CORNER FOR D.L. OPNG. SIZES



Engr: DR. HUMAYOON FAROOQ
STRUCTURES
FLA. PE # 16557
C.A.N. 3538

AUG 10 2004

SERIES-4000 ALUM OUTSWING FRENCH DOOR (IMPACT)

E.S. WINDOWS

5220 N.W. 72 AVE. BAY #4
MIAMI, FL. 33166

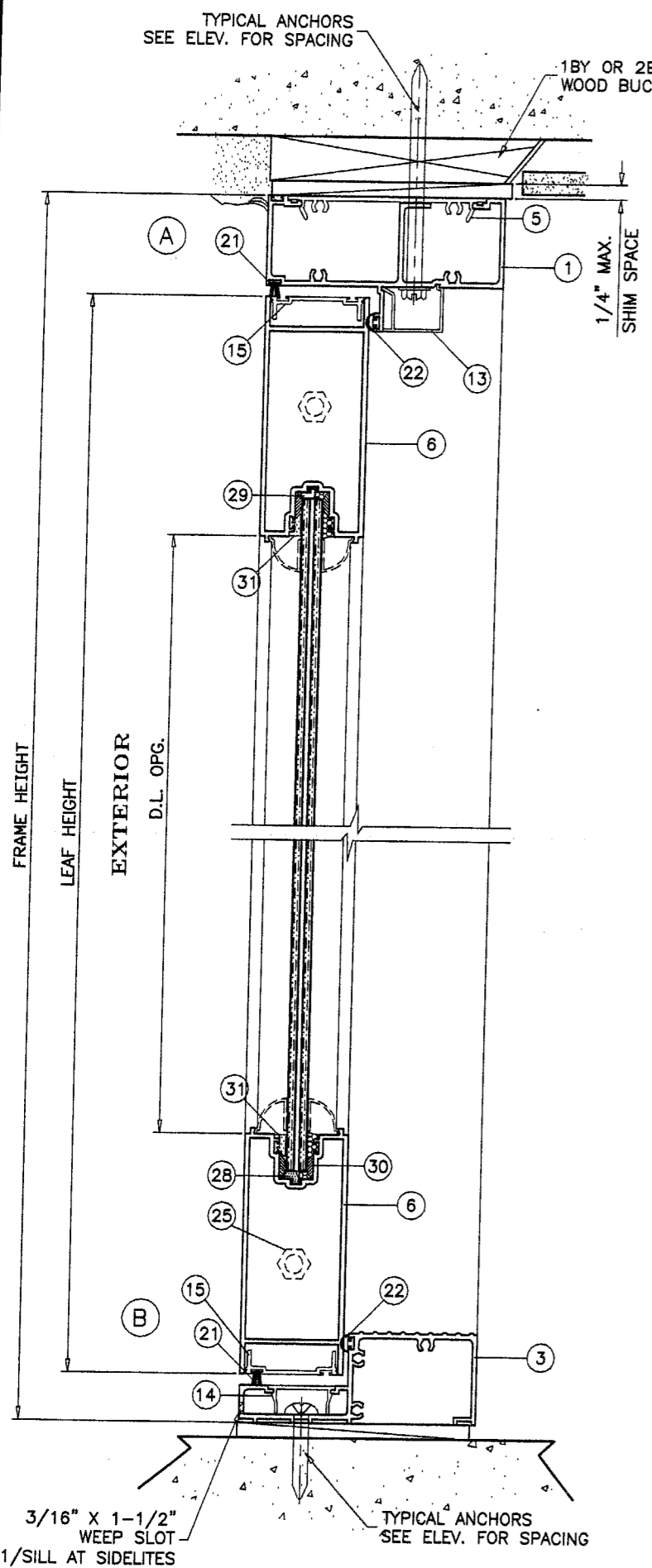
TEL. (305) 640-9857 FAX. (305) 593-2074

revisions:	no	date	by	description
	A	08.06.04		REV. PER BCCO COMMENTS

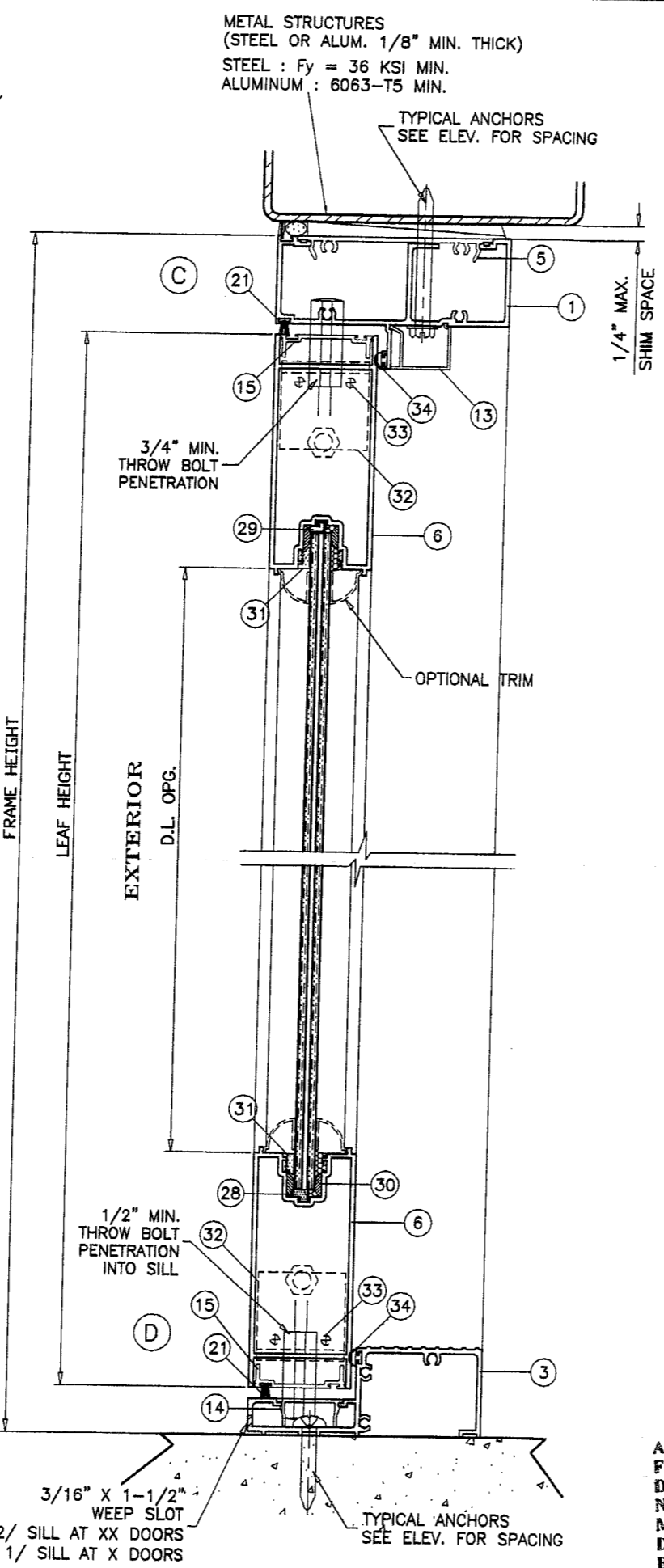
date: 08-10-04
scale: 1/2"=1'-0"
dr. by: HAMID
chk. by:

drawing no. **W04-51**
sheet 2 of 6

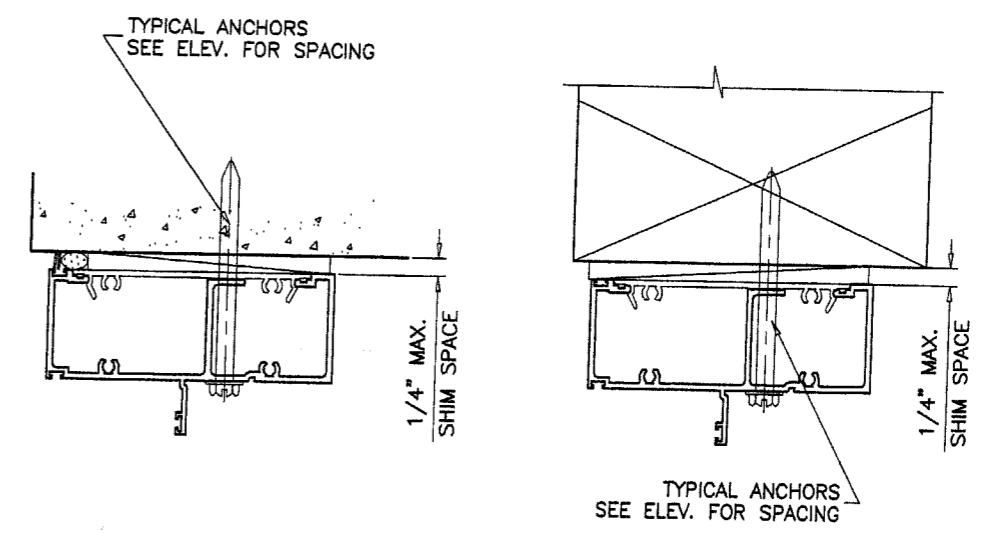
AL-FAROOQ CORPORATION
ENGINEERS, PLANNERS & PRODUCT DESIGN
1235 SW 87 AVE
MIAMI, FLORIDA 33174
TEL. (305) 264-8100 FAX. (305) 262-6978
COMP-ANL\W04-51ESW



STATIONARY UNITS



OPERABLE UNITS



WOOD BUCKS NOT BY E.S. WINDOWS, MUST SUSTAIN LOADS IMPOSED BY GLAZING SYSTEM AND TRANSFER THEM TO THE BUILDING STRUCTURE.

TYPICAL ANCHORS: SEE ELEV. FOR SPACING

1/4" TAPCONS
 INTO 2BY WOOD BUCKS OR WOOD STRUCTURE
 1-3/8" MIN. PENETRATION INTO WOOD
 THRU 1BY BUCKS INTO CONC. OR MASONRY
 1-1/4" MIN. EMBED INTO CONC. OR MASONRY
 DIRECTLY INTO CONC. OR MASONRY
 1-1/4" MIN. EMBED INTO CONC. OR MASONRY

#14 SMS OR 1/4" TEKS SELF DRILLING SCREWS
 INTO METAL STRUCTURES (1/8" MIN. THICKNESS)
 (1/4" MAX. SHIM SPACE)

SEALANT:
 ALL JOINTS AND FRAME CONNECTIONS SEALED WITH
 WHITE/ALUMINUM COLORED SILICONE.

Approved as complying with the
 Florida Building Code
 Date 09/16/04
 NOA# 04-0212.02
 Miami Dade Product Control
 Division
 By *[Signature]*

Engr: DR. HUMAYOUN FAROOQ
 STRUCTURES
 F.L.A. PE # 16557
 C.A.N. 3538
 AUG 10 2004

AL-FAROOQ CORPORATION
 ENGINEERS, PLANNERS & PRODUCT DESIGN
 1235 SW 87 AVE
 MIAMI, FLORIDA 33174
 TEL. (305) 264-8100 FAX. (305) 262-6978
 COMP-ANL\W04-51ESW

E.S. WINDOWS
 5220 N.W. 72 AVE. BAY #4
 MIAMI, FL. 33166
 TEL. (305) 640-9857 FAX. (305) 593-2074

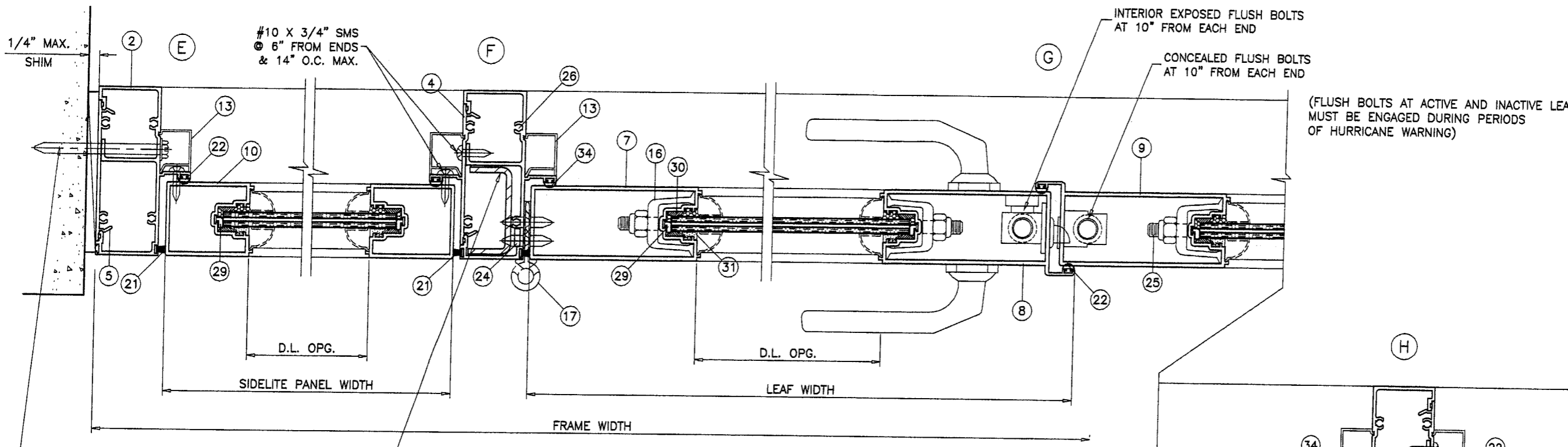
SERIES-4000 ALUM OUTSWING FRENCH DOOR (IMPACT)

revisions:	no	date	by	description
	A	08.06.04		NO CHANGE THIS SHEET

date: 06-10-04
 scale: 3/8" = 1"
 dr. by: HAMID
 chg. by:

drawing no.
W04-51

sheet 3 of 6

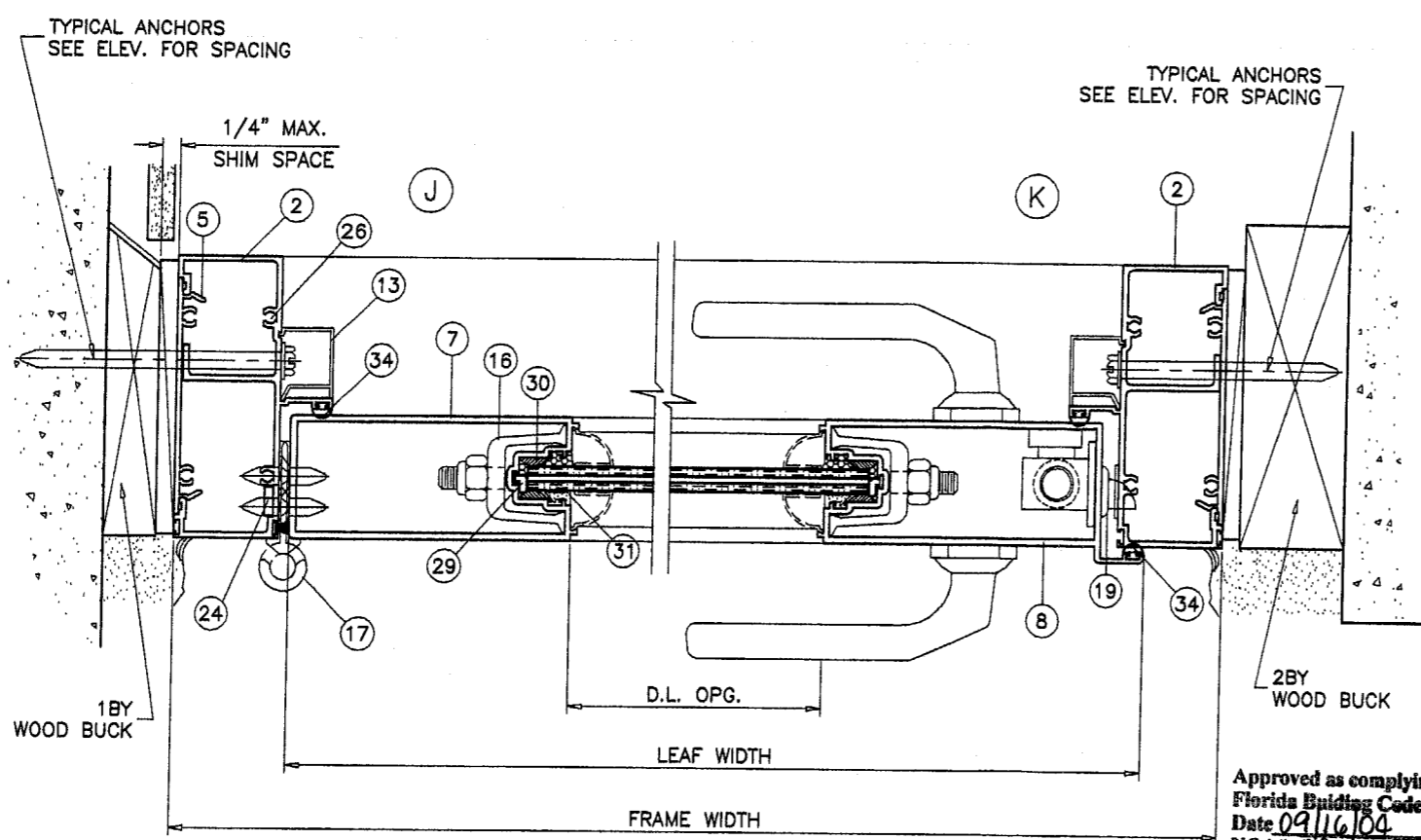
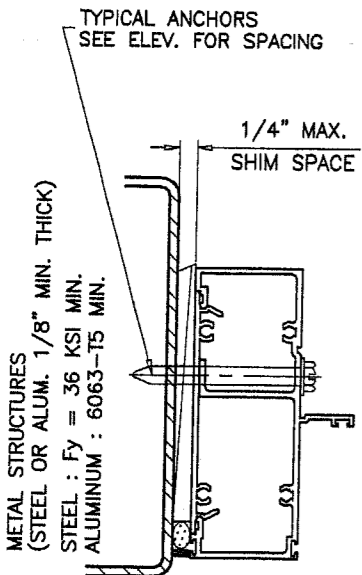


(FLUSH BOLTS AT ACTIVE AND INACTIVE LEAFS MUST BE ENGAGED DURING PERIODS OF HURRICANE WARNING)

REINFORCING AS REQD.
 .96" X 2" X .96" X 1/8"
 FULL LENGTH STL. CHANNEL
 SEE SHEET 2 FOR CAPACITY
 (STEEL TO BE PAINTED OR PLATED)

OPTIONAL TRIM

EXTERIOR



Approved as complying with the
 Florida Building Code
 Date 09/16/04
 NOA# 04-0312-02
 Miami Desk Product Control
 Division
 By *[Signature]*

Engr: DR. HUMAYOUN FAROOQ
 STRUCTURES
 FLA. PE # 16557
 C.A.N. 3538
 AUG 10 2004

AL-FAROOQ CORPORATION
 ENGINEERS, PLANNERS & PRODUCT DESIGN
 1235 SW 87 AVE
 MIAMI, FLORIDA 33174
 TEL. (305) 264-8100 FAX. (305) 262-6978

SERIES-4000 ALUM OUTSWING FRENCH DOOR (IMPACT)
E.S. WINDOWS
 5220 N.W. 72 AVE. BAY #4
 MIAMI, FL. 33166
 TEL. (305) 640-9857 FAX. (305) 593-2074

no	date	by	description
A	08.06.04		REV. PER BCCO COMMENTS

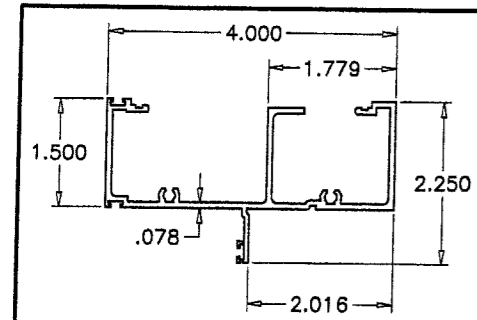
date: 06-10-04	scale: 3/8" = 1"	dr. by: HAMID	chk. by:
----------------	------------------	---------------	----------

drawing no.	W04-51
sheet 4 of 6	

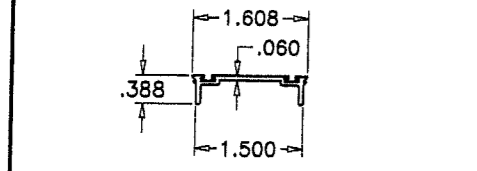


COMP-ANL\W04-51ESW

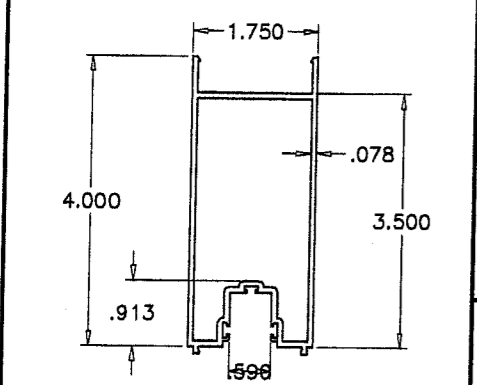
ITEM #	PART #	QUANTITY	DESCRIPTION	MATERIAL	MANF./SUPPLIER/REMARKS
1	ES3001-1	1	FRAME HEAD	6063-T6	-
2	ES3001-2	2	DOOR FRAME JAMB	6063-T6	-
3	ES3002-1	1	DOOR FRAME SILL	6063-T5	-
4	ES3003-1	AS REQD.	SIDELITE ADAPTER	6063-T6	-
5	ES3004	AS REQD.	SHEAR PLATE @ ANCHOR LOCATIONS	6063-T6	3" LONG
6	ES3005-1	2/ LEAF	TOP AND BOTTOM RAIL	6063-T5	-
7	ES3006-1	1/ LEAF	DOOR LEAF JAMB - HINGE SIDE	6063-T5	-
8	ES3007-1	1/ LEAF	DOOR LEAF - LOCK SIDE	6063-T6	-
9	ES3007-2	1/ LEAF	DOOR LEAF - KEEPER SIDE	6063-T6	-
10	ES3008-1	AS REQD.	SIDELITE STILE	6063-T5	-
11	-	-	-	-	-
12	-	-	-	-	-
13	ES3011	AS REQD.	JAMB TRIM	6063-T5	OPTIONAL
14	ES3012	1	SILL COVER	6063-T6	-
15	ES3013	2/ LEAF	WEATHERSTRIP ADAPTER	6063-T5	-
16	ES3014-1	4/ PANEL	PANEL CLAMP	6063-T6	-
17	ES3003-3	3/ OPER. LEAF	HINGE ASSEMBLY	6063-T6	-
18	FD-100	-	MANUALLY OPERATED FLUSH BOLTS	-	SULLIVAN & ASSOCIATES
19	-	-	DOOR LOCK (SAVANNAH 201SL)	-	YALE
20	-	-	DEAD BOLT LOCK (PREMIER)	-	YALE
21	W22321NG	AS REQD.	FIN-SEAL PILE W'STRIPPING	-	ULTRAFAB
22	ES3020	AS REQD.	BULB WEATHERSTRIPPING	VINYL	AT SIDELITE PANELS
24	-	AS REQD.	HINGE REINFORCING BAR	ALUMINUM	1/8" THK. X 7-7/8" LONG
25	-	2/ LEAF	3/8" DIA. THREADED ROD W/ NUTS	STEEL	-
26	-	AS REQD.	FRAME ASSY. SCREWS	-	#10 PAN HEAD SMS
27	-	-	-	-	-
28	ES4014	AS REQD.	BOTTOM RAIL GLASS STOP	NEOPRENE	-
29	ES4019	AS REQD.	PANEL SILICONE STOP	NEOPRENE	-
30	-	AS REQD.	3/8" DIA. X 1/8" HT. BUMPER	SILICONE	FRANK LOWE RUBBER CO.
31	ES4013	AS REQD.	WEDGE GASKET	-	-
32	ES3022	2/ STILE	FLUSH BOLT BRACKET	6063-T5	-
33	-	2/ BKT.	BRACKET INSTALLATION SCREWS	-	#10 X 1" FH SMS
34	Q/LON	AS REQD.	DOOR PANEL W'STRIPPING	-	SCHLEGEL



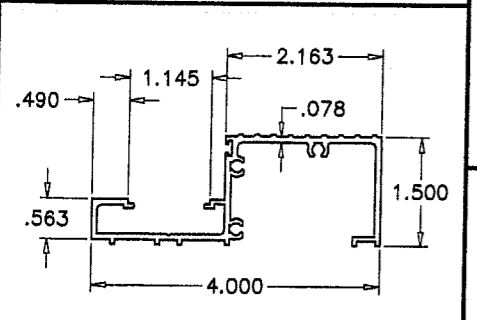
① ② FRAME HEAD/JAMB



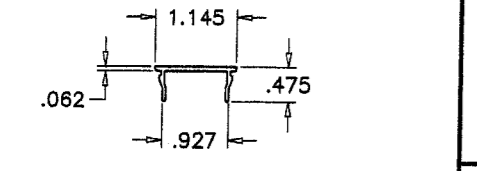
⑮ WEATHERSTRIP ADAPTER



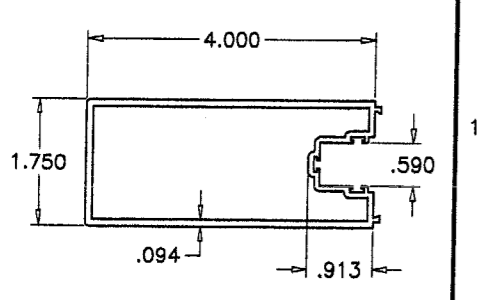
⑥ TOP/BOTTOM RAIL



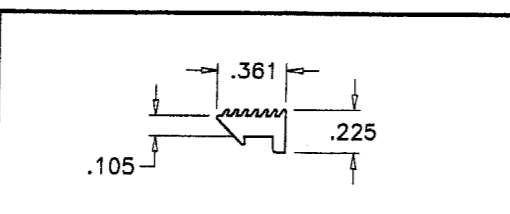
③ FRAME SILL



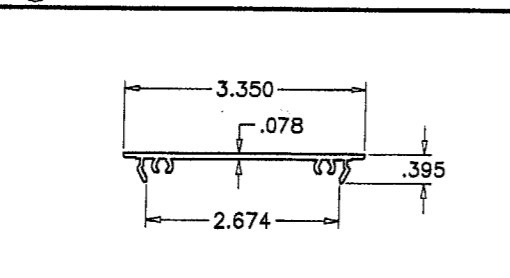
⑭ SILL COVER



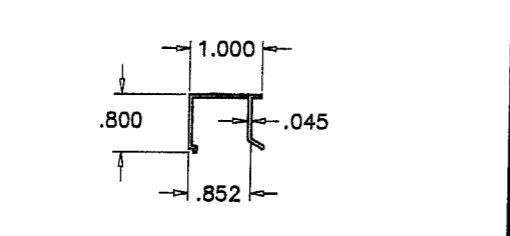
⑦ HINGE STILE



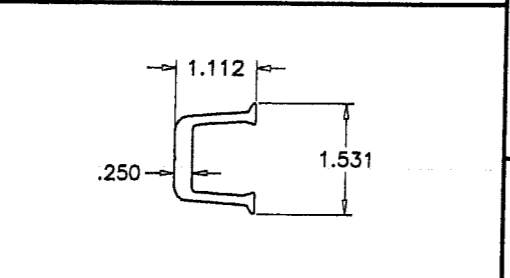
⑳ WEDGE GASKET (SCALE 1:1)



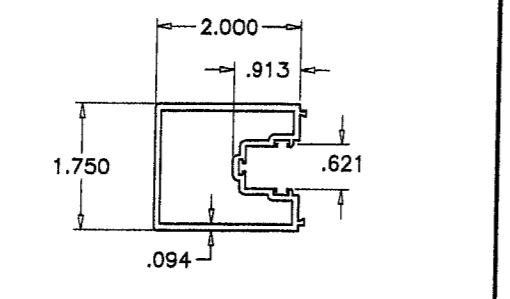
⑤ SHEAR PLATE



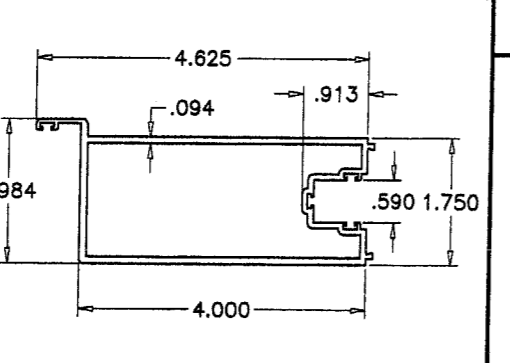
⑬ JAMB TRIM (OPTIONAL)



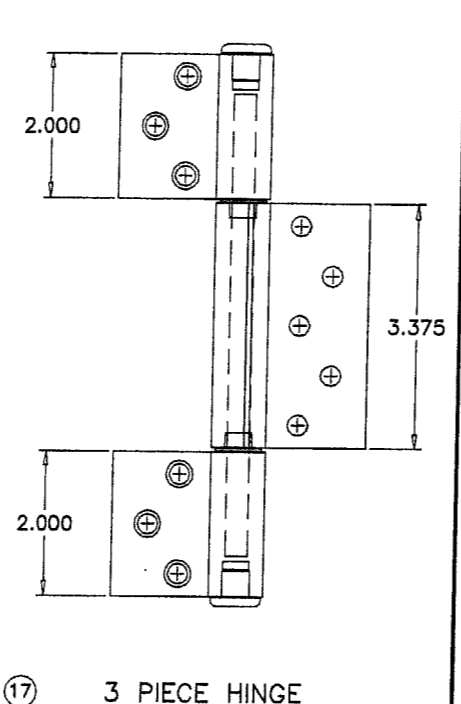
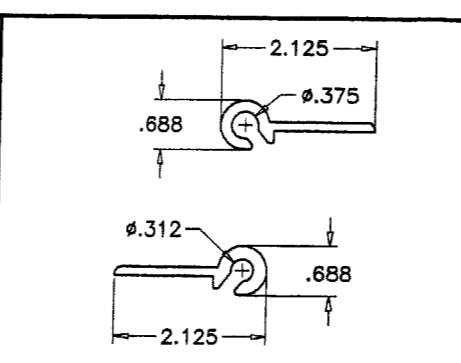
⑯ PANEL CLAMP



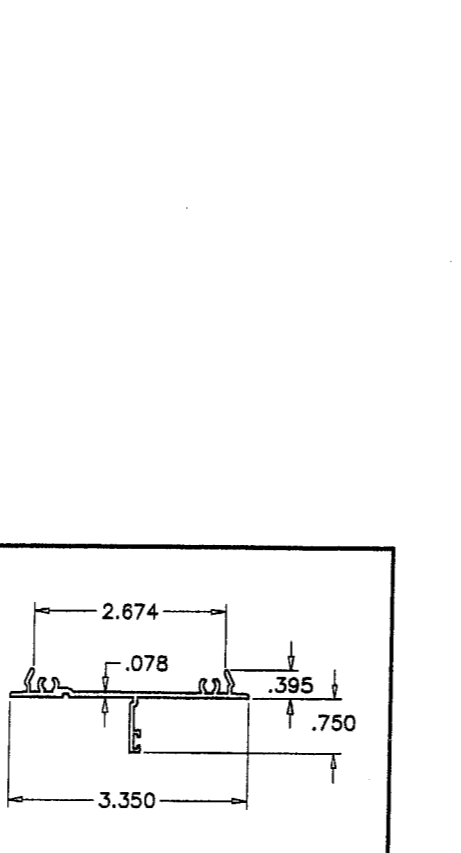
⑩ SIDE LITE STILE



⑧ ⑨ LOCK STILE/KEEPER STILE



⑰ 3 PIECE HINGE



④ SIDELITE ADAPTER

Approved as complying with the Florida Building Code
 Date 09/16/04
 NOA# 04-0312-02
 Miami Date Product Control Division
 By *[Signature]*

Engr: DR. HUMAYOUN FAROOQ
 STRUCTURES
 FLA. PE # 16557
 C.A.N. 3538
 AUG 1 0 2004

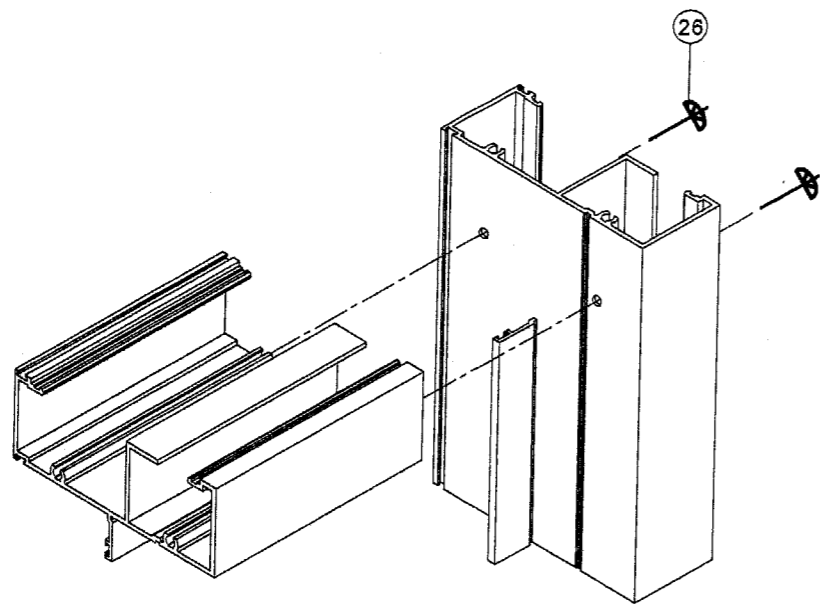
AL-FAROOQ CORPORATION
 ENGINEERS, PLANNERS & PRODUCT DESIGN
 1235 SW 87 AVE
 MIAMI, FLORIDA 33174
 TEL. (305) 264-8100 FAX. (305) 262-6978

E.S. WINDOWS
 SERIES-4000 ALUM OUTSWING FRENCH DOOR (IMPACT)
 5220 N.W. 72 AVE. BAY #4
 MIAMI, FL. 33166
 TEL. (305) 640-9857 FAX. (305) 593-2074

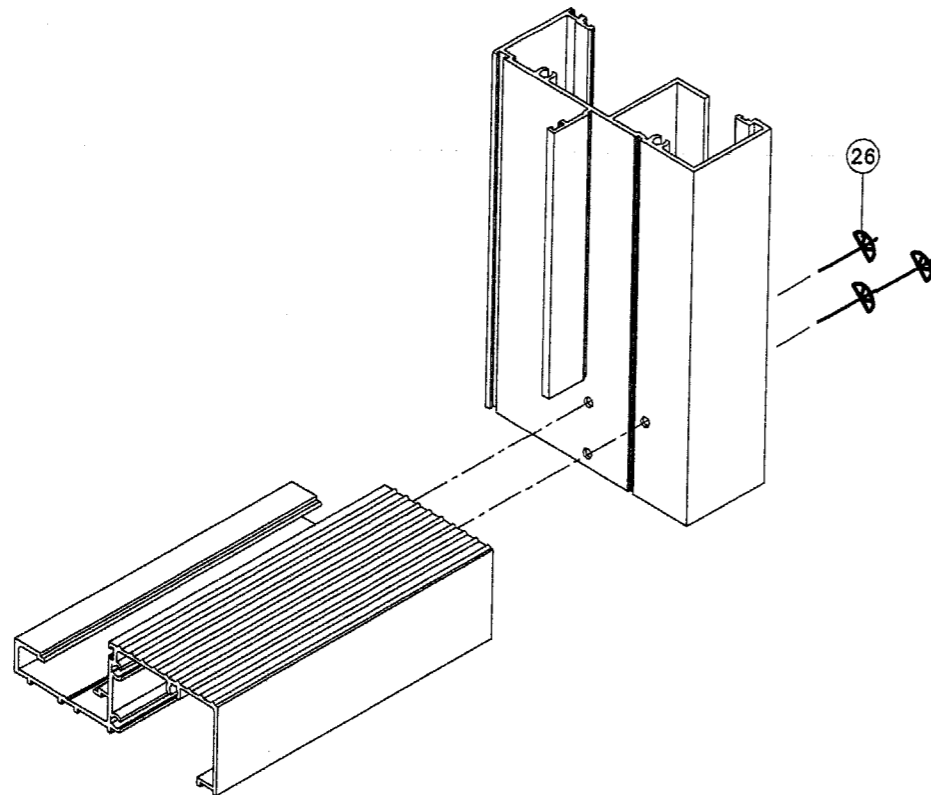
no.	date	description
A	08.06.04	NO CHANGE THIS SHEET

date: 06-10-04
 scale: 3/8" = 1"
 dr. by: HAMID
 chk. by:

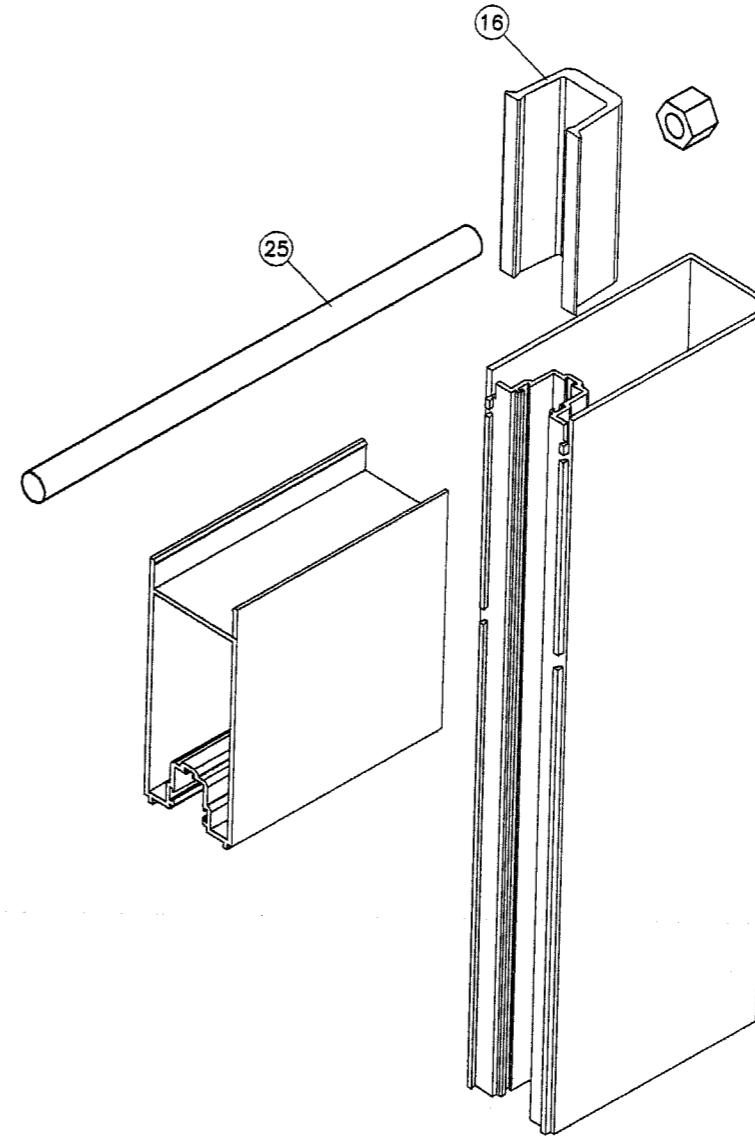
drawing no.
W04-51
 sheet 5 of 6



FRAME TOP CORNER



FRAME BOTTOM CORNER



DOOR LEAF CORNER

Approved as complying with the
 Florida Building Code
 Date 09/16/04
 NOA# 04-072.02
 Miami Dept Product Control
 Division
 By [Signature]

Engr: DR. HUMAYOUN FAROOQ
 STRUCTURES
 FLA. FE # 18557
 C.A.N. 3538
 AUG 10 2004

afc

AL-FAROOQ CORPORATION
 ENGINEERS, PLANNERS & PRODUCT DESIGN
 1235 SW 87 AVE
 MIAMI, FLORIDA 33174
 TEL. (305) 264-8100 FAX. (305) 262-6978
 COMP-ANL\W04-51ESW

SERIES-4000 ALUM OUTSWING FRENCH DOOR (IMPACT)
E.S. WINDOWS
 5220 N.W. 72 AVE. BAY #4
 MIAMI, FL. 33166
 TEL (305) 640-9857 FAX. (305) 593-2074

no	date	by	description
A	08.06.04		NO CHANGE THIS SHEET

date: 06-10-04	scale: 3/8" = 1"	dr. by: HAMID	chk. by:
----------------	------------------	---------------	----------

drawing no.
W04-51
 sheet 6 of 6