



**BUILDING CODE COMPLIANCE OFFICE (BCCO)
PRODUCT CONTROL DIVISION**

**MIAMI-DADE COUNTY, FLORIDA
METRO-DADE FLAGLER BUILDING
140 WEST FLAGLER STREET, SUITE 1603
MIAMI, FLORIDA 33130-1563
(305) 375-2901 FAX (305) 375-2908**

NOTICE OF ACCEPTANCE (NOA)

**E.S. Windows, Inc.
5220 N.W. 72nd Ave. Bay #4
Miami, FL 33166**

SCOPE:

This NOA is being issued under the applicable rules and regulations governing the use of construction materials. The documentation submitted has been reviewed by Miami-Dade County Product Control Division and accepted by the Board of Rules and Appeals (BORA) to be used in Miami Dade County and other areas where allowed by the Authority Having Jurisdiction (AHJ).

This NOA shall not be valid after the expiration date stated below. The Miami-Dade County Product Control Division (In Miami Dade County) and/or the AHJ (in areas other than Miami Dade County) reserve the right to have this product or material tested for quality assurance purposes. If this product or material fails to perform in the accepted manner, the manufacturer will incur the expense of such testing and the AHJ may immediately revoke, modify, or suspend the use of such product or material within their jurisdiction. BORA reserves the right to revoke this acceptance, if it is determined by Miami-Dade County Product Control Division that this product or material fails to meet the requirements of the applicable building code.

This product is approved as described herein, and has been designed to comply with the High Velocity Hurricane Zone of the Florida Building Code.

DESCRIPTION: Series 2000 Aluminum Horizontal Sliding Window

APPROVAL DOCUMENT: Drawing No. **W03-75**, titled "Series-2000 Alum Horiz. Sliding WDW. (L.M.I.)", sheets 1 through 5 of 5, prepared by Al Farooq Corporation, dated 08/27/03, with revision date 09/29/03, signed and sealed by Humayoun Farooq, P.E., bearing the Miami-Dade County Product Control Approval stamp with the Notice of Acceptance number and approval date by the Miami-Dade County Product Control Division.

MISSILE IMPACT RATING: Large and Small Missile Impact

LABELING: Each unit shall bear a permanent label with the manufacturer's name or logo, city, state and following statement: "Miami-Dade County Product Control Approved", unless otherwise noted herein.

RENEWAL of this NOA shall be considered after a renewal application has been filed and there has been no change in the applicable building code negatively affecting the performance of this product.

TERMINATION of this NOA will occur after the expiration date or if there has been a revision or change in the materials, use, and/or manufacture of the product or process. Misuse of this NOA as an endorsement of any product, for sales, advertising or any other purposes shall automatically terminate this NOA. Failure to comply with any section of this NOA shall be cause for termination and removal of NOA.

ADVERTISEMENT: The NOA number preceded by the words Miami-Dade County, Florida, and followed by the expiration date may be displayed in advertising literature. If any portion of the NOA is displayed, then it shall be done in its entirety.

INSPECTION: A copy of this entire NOA shall be provided to the user by the manufacturer or its distributors and shall be available for inspection at the job site at the request of the Building Official.

This NOA consists of this page 1 as well as approval document mentioned above.

The submitted documentation was reviewed by **Theodore Berman, P.E.**

Handwritten signature and date: 10/16/2003



**NOA No 03-0910.02
Expiration Date: November 06, 2008
Approval Date: November 06, 2003**

NOTICE OF ACCEPTANCE: EVIDENCE SUBMITTED

A. DRAWINGS

1. Manufacturer's die drawings and sections.
2. Drawing No. **W03-75**, titled "Series-2000 Alum Horiz. Sliding WDW. (L.M.I.)", sheets 1 through 5 of 5, prepared by Al Farooq Corporation, dated 08/27/03, with revision date 09/29/03, signed and sealed by Humayoun Farooq, P.E.

B. TESTS

1. Test reports on 1) Air Infiltration Test, per FBC, TAS 202-94
2) Uniform Static Air Pressure Test, Loading per FBC, TAS 202-94
3) Water Resistance Test, per FBC, TAS 202-94
4) Large Missile Impact Test, per FBC, TAS 201-94
5) Cyclic Wind Pressure Loading, per FBC, TAS 203-94
6) Forced Entry Test, per FBC 2411 3.2.1 and TAS 202-94
along with marked-up drawings and installation diagram of an aluminum horizontal sliding window, prepared by Certified Testing Laboratories, Test Report No. **FTL-03078**, dated 06/16/03, signed and sealed by Joseph Chan, P.E.
2. Test reports on 1) Air Infiltration Test, per FBC, TAS 202-94
2) Uniform Static Air Pressure Test, Loading per FBC, TAS 202-94
3) Water Resistance Test, per FBC, TAS 202-94
4) Large Missile Impact Test, per FBC, TAS 201-94
5) Cyclic Wind Pressure Loading, per FBC, TAS 203-94
6) Forced Entry Test, per FBC 2411 3.2.1 and TAS 202-94
along with marked-up drawings and installation diagram of an aluminum horizontal sliding window, prepared by Certified Testing Laboratories, Test Report No. **FTL-03077**, dated 05/15/03, signed and sealed by Joseph Chan, P.E.

C. CALCULATIONS

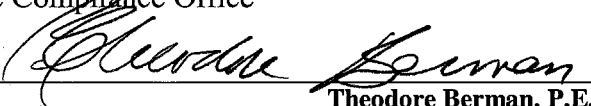
1. Anchor Calculations, ASTM-E1300-98 and structural analysis, prepared by Al Farooq Corporation, dated 09/06/03, with revision date 9/25/03, signed and sealed by Humayoun Farooq, P.E.

D. MATERIAL CERTIFICATIONS

1. Notice of Acceptance **No. 01-1204.01** issued to E.I. Dupont DeNemours for "Sentry Glass (R.) Plus", dated 01/17/02, expiring on 01/14/07.
2. Notice of Acceptance **No. 00-1212.04** issued to E.I. Dupont DeNemours for "Dupont Butacite ® PVB", dated 02/15/01, expiring on 12/11/05.

E. QUALITY ASSURANCE

1. Miami-Dade County Building Code Compliance Office


Theodore Berman, P.E.

Deputy Director, Product Control Division

NOA No 03-0910.02

Expiration Date: November 06, 2008

Approval Date: November 06, 2003

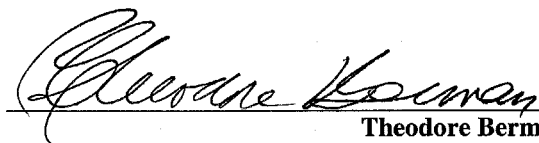
NOTICE OF ACCEPTANCE: EVIDENCE SUBMITTED

F. STATEMENTS

1. Statement letter of conformance, dated 09/08/03, signed and sealed by Humayoun Farooq, P.E.
2. Statement letter of no financial interest, dated 09/08/03, signed and sealed by Humayoun Farooq, P.E.
3. Laboratory compliance letter for Test Report no. **FTL 03078** issued by Fenestration Testing Laboratory, Inc., dated 9/8/03, signed and sealed by Joseph Chan, P.E.

G. OTHER

1. Letter from the consultant stating that the product is compliance with the Florida Building Code (FBC).



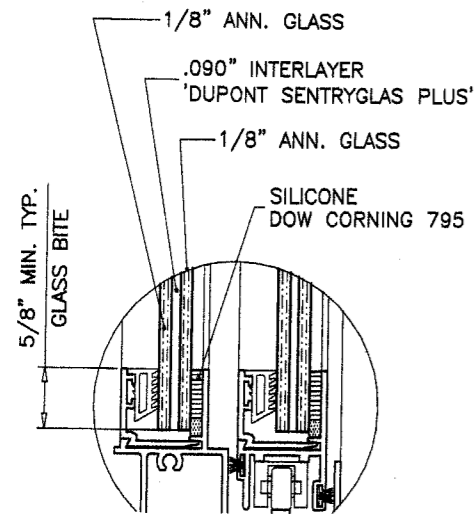
Theodore Berman, P.E.

Deputy Director, Product Control Division

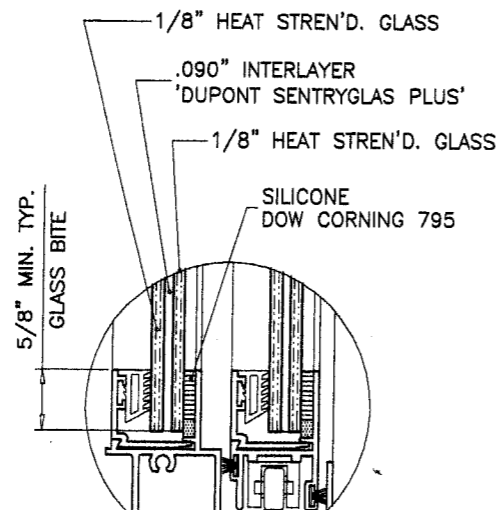
NOA No 03-0910.02

Expiration Date: November 06, 2008

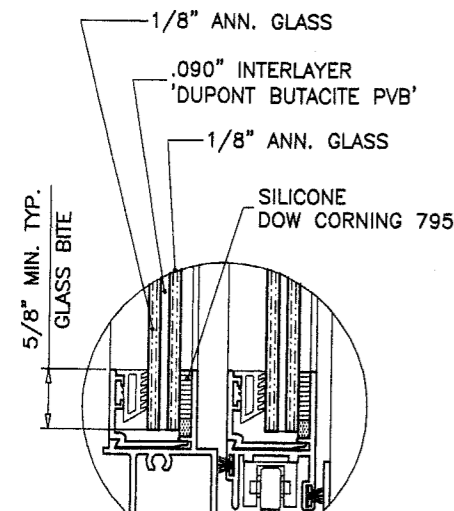
Approval Date: November 06, 2003



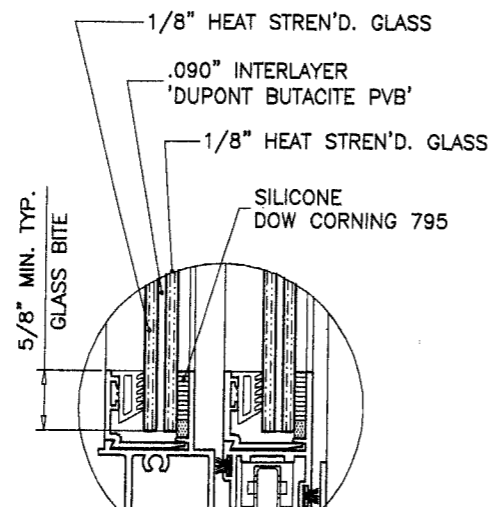
GLASS TYPE 'A'



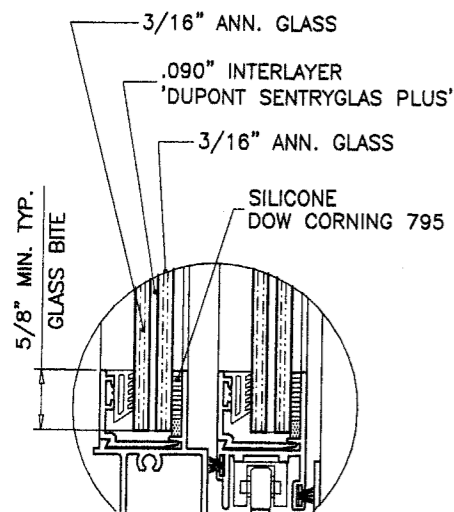
GLASS TYPE 'A1'



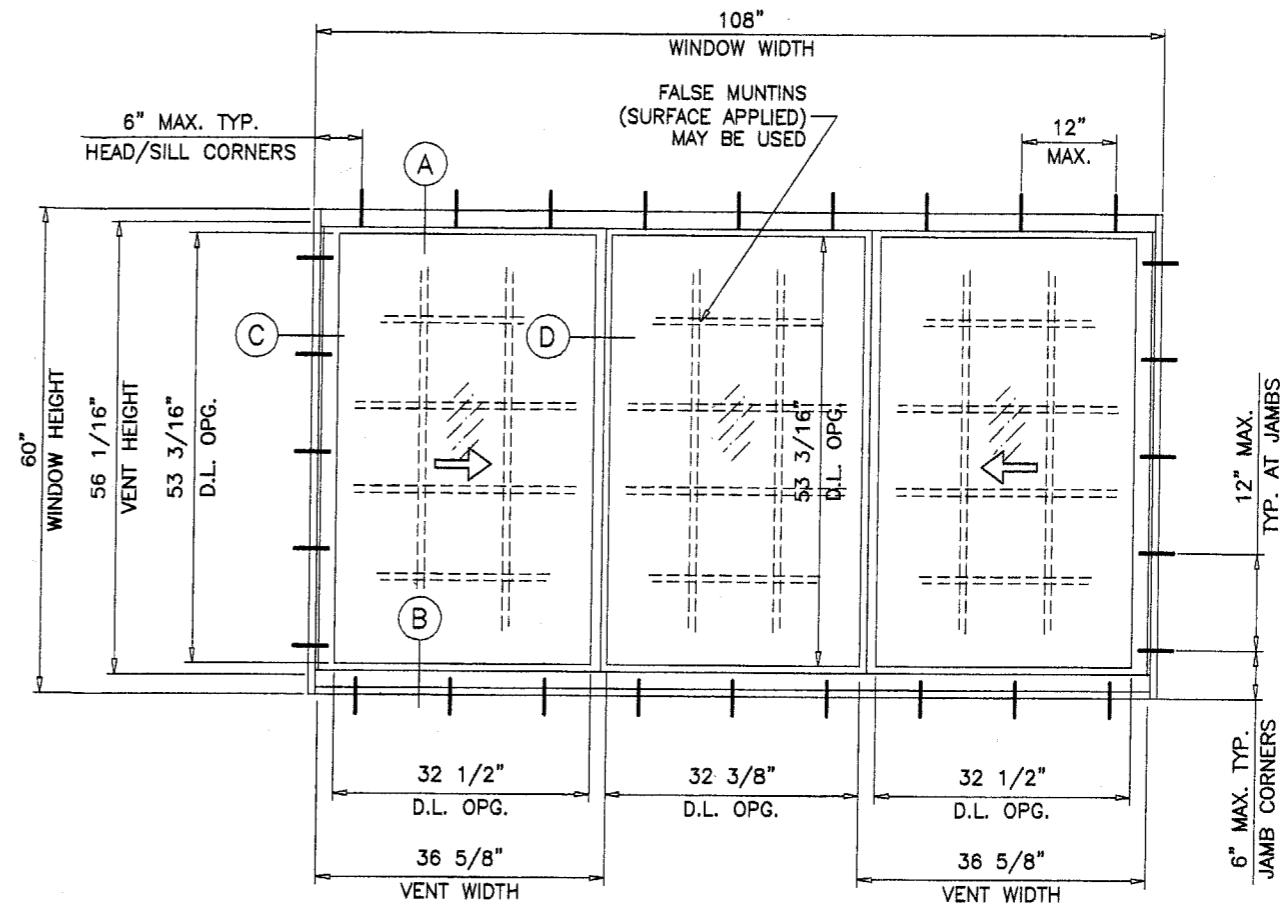
GLASS TYPE 'B'



GLASS TYPE 'B1'



GLASS TYPE 'C'



TYPICAL ELEVATION
TESTED UNIT

SERIES-2000 ALUM HORIZ. SLIDING WINDOW (L.M.I.)

DESIGN LOAD RATINGS FOR THESE WINDOWS TO BE AS PER CHARTS SHOWN ON SHEET 2.

THESE WINDOWS ARE RATED FOR LARGE MISSILE IMPACT. SHUTTERS ARE NOT REQUIRED.

APPROVAL APPLIES TO SINGLE UNITS OR SIDE BY SIDE COMBINATIONS OF H.R./H.R. OR H.R. WITH OTHER WINDOW TYPES IN MODULES OF TWO OR MORE WINDOWS USING APPROVED MULLIONS.

THIS PRODUCT IS DESIGNED TO COMPLY WITH THE HIGH VELOCITY HURRICANE ZONE OF THE 2001 FLORIDA BUILDING CODE. ALSO FOR WIND LOADS AS PER ASCE 7-88, ASCE 7-93, ASCE 7-95 OR ASCE 7-98 AS REQUIRED BY PREVAILING BUILDING CODE.

WOOD BUCKS BY OTHERS, MUST BE ANCHORED PROPERLY TO TRANSFER LOADS TO THE STRUCTURE.

ANCHORS SHALL BE AS LISTED, SPACED AS SHOWN ON DETAILS. ANCHOR EMBEDMENT TO BASE MATERIAL SHALL BE BEYOND WALL DRESSING OR STUCCO.

ANCHORING OR LOADING CONDITIONS NOT SHOWN IN THESE DETAILS ARE NOT PART OF THIS APPROVAL.

Approved as complying with the Florida Building Code
Date: 11/06/03
NOA#: 03-0310-02
Affiliated Product Control
By: *[Signature]*

Engr: DR. HUMAYOUN FAROOQ
STRUCTURES
FLA. PE # 16557
[Signature]
OCT - 2 2003

afc

AL-FAROOQ CORPORATION
ENGINEERS, PLANNERS & PRODUCT DESIGN
1235 SW 87 AVE
MIAMI, FLORIDA 33174
TEL. (305) 264-8100 FAX. (305) 262-6978
COMP-ANL\W03-75ES

SERIES-2000 ALUM HORIZ. SLIDING WDW. (L.M.I.)
E.S. WINDOWS
5220 N.W. 72 AVE. BAY #4
MIAMI, FL. 33166
TEL. (305) 640-9857 FAX. (305) 593-2074

no	date	description	by
A	09.29.03	NO CHANGE THIS SHEET	

date: 08-27-03	scale: 1/2"=1'-0"	dr. by: HAMID	chk. by:
----------------	-------------------	---------------	----------

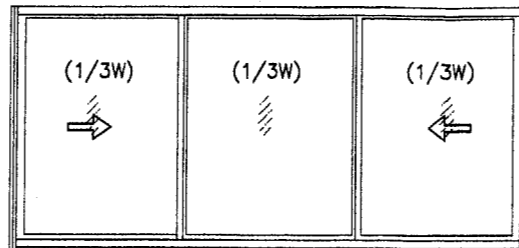
drawing no. **W03-75**
sheet 1 of 5

DESIGN LOAD CAPACITY - PSF (XOX SIZES)								
WINDOW DIMS.		A	GLASS TYPE 'A'		GLASS TYPE 'A1'		GLASS TYPE 'C'	
WIDTH	HEIGHT		GLASS TYPE 'B'	GLASS TYPE 'B1'	EXT.(+)	INT.(-)	EXT.(+)	INT.(-)
74"	26"	7	70.0	80.0	70.0	90.0	70.0	90.0
106-1/4"	(3)	9	70.0	80.0	70.0	90.0	70.0	90.0
74"	38-3/8"	7	70.0	80.0	70.0	90.0	70.0	90.0
106-1/4"	(3)	9	70.0	73.3	70.0	90.0	70.0	90.0
74"	50-5/8"	7	70.0	80.0	70.0	90.0	70.0	90.0
106-1/4"	(4)	9	53.8	53.8	70.0	82.4	70.0	82.4
74"	63"	7	45.4	51.9	70.0	79.2	70.0	79.2
72"	24"	6	70.0	80.0	70.0	90.0	70.0	90.0
84"		7	70.0	80.0	70.0	90.0	70.0	90.0
96"		8	70.0	80.0	70.0	90.0	70.0	90.0
108"		9	70.0	80.0	70.0	90.0	70.0	90.0
72"	36"	6	70.0	80.0	70.0	90.0	70.0	90.0
84"		7	70.0	80.0	70.0	90.0	70.0	90.0
96"		8	70.0	80.0	70.0	90.0	70.0	90.0
108"		9	70.0	78.2	70.0	90.0	70.0	90.0
72"	48"	6	70.0	80.0	70.0	89.3	70.0	89.3
84"		7	70.0	74.3	70.0	87.7	70.0	87.7
96"		8	62.9	62.9	70.0	86.1	70.0	86.1
108"		9	55.9	55.9	70.0	84.6	70.0	84.6
72"	60"	6	54.2	61.9	70.0	73.1	70.0	73.1
84"		7	47.6	54.4	70.0	72.0	70.0	72.0
96"		8	-	-	70.0	70.9	70.0	70.9
108"		9	-	-	70.0	69.9	70.0	69.9

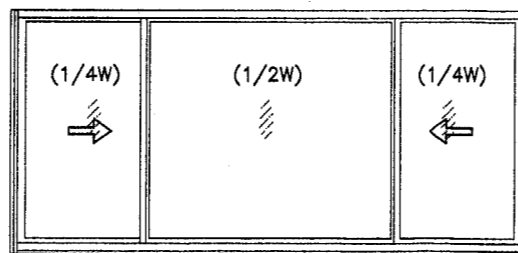
A = NO. OF ANCHORS PER HEAD & SILL
() = NO. OF ANCHORS PER JAMB

DESIGN LOAD CAPACITY - PSF (XOX SIZES)								
WINDOW DIMS.		A	GLASS TYPE 'A'		GLASS TYPE 'A1'		GLASS TYPE 'C'	
WIDTH	HEIGHT		GLASS TYPE 'B'	GLASS TYPE 'B1'	EXT.(+)	INT.(-)	EXT.(+)	INT.(-)
74"	26"	7	70.0	80.0	70.0	90.0	70.0	90.0
106-1/4"	(3)	9	70.0	80.0	70.0	90.0	70.0	90.0
74"	38-3/8"	7	70.0	73.7	70.0	90.0	70.0	90.0
106-1/4"	(3)	9	-	-	70.0	90.0	70.0	90.0
74"	50-5/8"	7	-	-	70.0	90.0	70.0	90.0
72"	24"	6	70.0	80.0	70.0	90.0	70.0	90.0
84"		7	70.0	80.0	70.0	90.0	70.0	90.0
96"		8	70.0	80.0	70.0	90.0	70.0	90.0
108"		9	70.0	80.0	70.0	90.0	70.0	90.0
72"	36"	6	70.0	80.0	70.0	90.0	70.0	90.0
84"		7	68.4	68.4	70.0	90.0	70.0	90.0
96"		8	59.2	59.2	70.0	90.0	70.0	90.0
108"		9	-	-	70.0	90.0	70.0	90.0
72"	48"	6	58.3	58.3	70.0	84.1	70.0	84.1
84"		7	-	-	70.0	83.3	70.0	83.3
72"	60" (5)	6	-	-	70.0	68.1	70.0	68.1

A = NO. OF ANCHORS PER HEAD & SILL
() = NO. OF ANCHORS PER JAMB



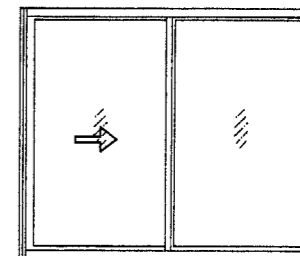
OPERATING VENTS TO BE 1/3 OF THE WINDOW WIDTH



OPERATING VENTS TO BE 1/4 OF THE WINDOW WIDTH

DESIGN LOAD CAPACITY - PSF (XO OR OX SIZES)								
WINDOW DIMS.		A	GLASS TYPE 'A'		GLASS TYPE 'A1'		GLASS TYPE 'C'	
WIDTH	HEIGHT		GLASS TYPE 'B'	GLASS TYPE 'B1'	EXT.(+)	INT.(-)	EXT.(+)	INT.(-)
26-1/2"	26"	3	70.0	80.0	70.0	90.0	70.0	90.0
37"		3	70.0	80.0	70.0	90.0	70.0	90.0
53-1/8"		5	70.0	80.0	70.0	90.0	70.0	90.0
74"	38-3/8"	7	70.0	80.0	70.0	90.0	70.0	90.0
26-1/2"		3	70.0	80.0	70.0	90.0	70.0	90.0
37"		3	70.0	80.0	70.0	90.0	70.0	90.0
53-1/8"	(3)	5	70.0	80.0	70.0	90.0	70.0	90.0
74"		7	69.3	69.3	70.0	90.0	70.0	90.0
26-1/2"		3	70.0	80.0	70.0	90.0	70.0	90.0
37"	50-5/8"	3	70.0	80.0	70.0	90.0	70.0	90.0
53-1/8"		5	70.0	74.8	70.0	90.0	70.0	90.0
74"		7	-	-	70.0	90.0	70.0	90.0
26-1/2"	63"	3	70.0	80.0	70.0	90.0	70.0	90.0
37"		3	58.9	67.3	70.0	86.6	70.0	86.6
53-1/8"		5	42.6	48.7	70.0	86.5	70.0	86.5
24"	24"	2	70.0	80.0	70.0	90.0	70.0	90.0
36"		3	70.0	80.0	70.0	90.0	70.0	90.0
48"		4	70.0	80.0	70.0	90.0	70.0	90.0
60"		5	70.0	80.0	70.0	90.0	70.0	90.0
72"		6	70.0	80.0	70.0	90.0	70.0	90.0
24"		36"	2	70.0	80.0	70.0	90.0	70.0
36"	3		70.0	80.0	70.0	90.0	70.0	90.0
48"	4		70.0	80.0	70.0	90.0	70.0	90.0
60"	5		70.0	80.0	70.0	90.0	70.0	90.0
72"	6		70.0	78.1	70.0	90.0	70.0	90.0
24"	48"		2	70.0	80.0	70.0	90.0	70.0
36"		3	70.0	80.0	70.0	90.0	70.0	90.0
48"		4	70.0	80.0	70.0	90.0	70.0	90.0
60"		5	67.6	67.6	70.0	90.0	70.0	90.0
72"		6	55.8	55.8	70.0	90.0	70.0	90.0
24"		60"	2	70.0	80.0	70.0	90.0	70.0
36"	3		70.0	80.0	70.0	90.0	70.0	90.0
48"	4		54.2	61.9	70.0	89.3	70.0	89.3
60"	5		45.1	51.5	70.0	85.8	70.0	85.8
72"	6		-	-	70.0	80.0	70.0	80.0

A = NO. OF ANCHORS PER HEAD & SILL
() = NO. OF ANCHORS PER JAMB



Approved as complying with the
Florida Building Code
Date 11/06/03
NOA# 03-0910-02
Miami Dade Product Control
Division
By: *Cherise Berman*

ALL EXTERIOR(+) LOADS SHOWN ON THIS SHEET ARE
FOR WINDOWS WITH APPLIED RISER AT FRAME SILL
FOR STD. SILL (NO RISER) LIMIT EXTERIOR(+) LOADS TO 53.3 PSF
SEE SCT. 'B' ON SHEET 3

Engr: DR. HUMAYOUN FAROOQ
STRUCTURES
FLA. PE # 16557

OCT - 2 2003

afC

AL-FAROOQ CORPORATION
ENGINEERS, PLANNERS & PRODUCT DESIGN
1235 SW 87 AVE
MIAMI, FLORIDA 33174
TEL. (305) 264-8100 FAX. (305) 262-6978
COMP-ANI\W03-75ES

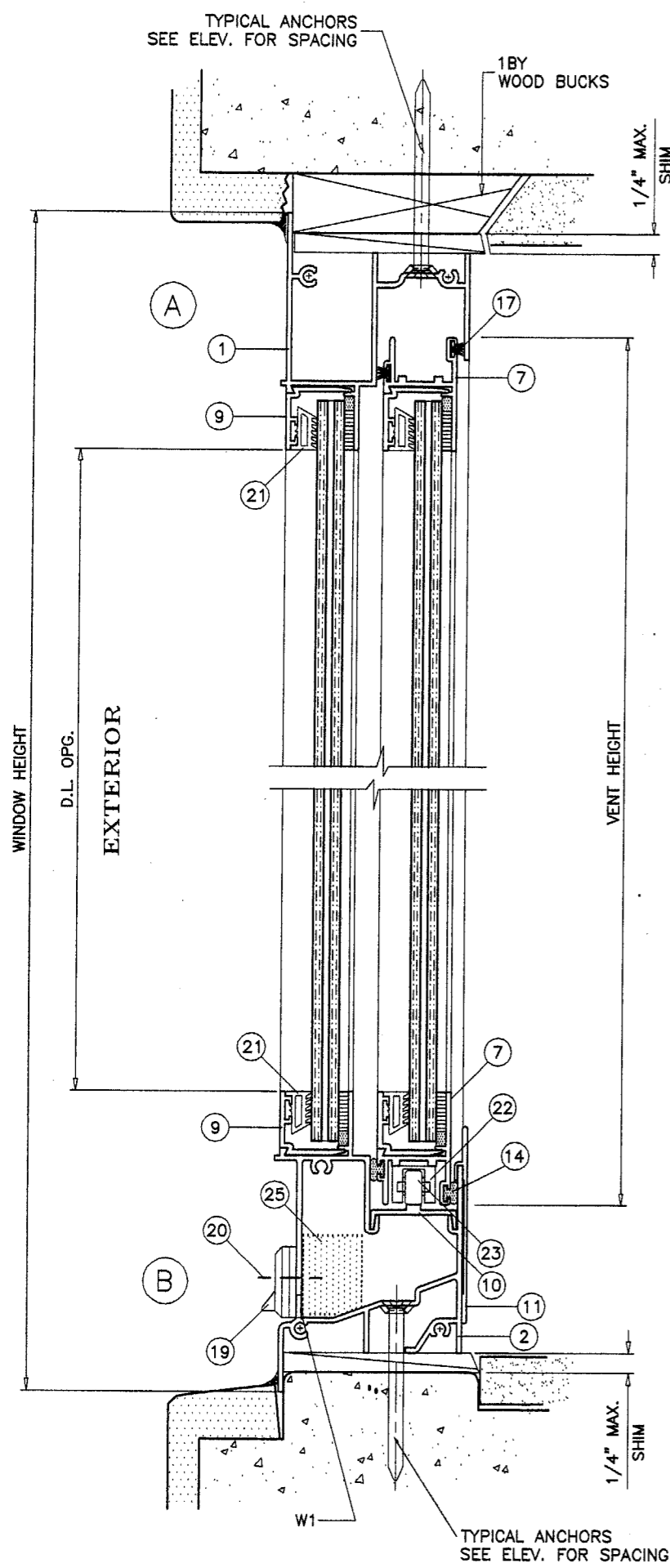
SERIES-2000 ALUM HORIZ. SLIDING WDW. (L.M.I.)

E.S. WINDOWS
5220 N.W. 72 AVE. BAY #4
MIAMI, FL. 33166
TEL. (305) 640-9857 FAX. (305) 593-2074

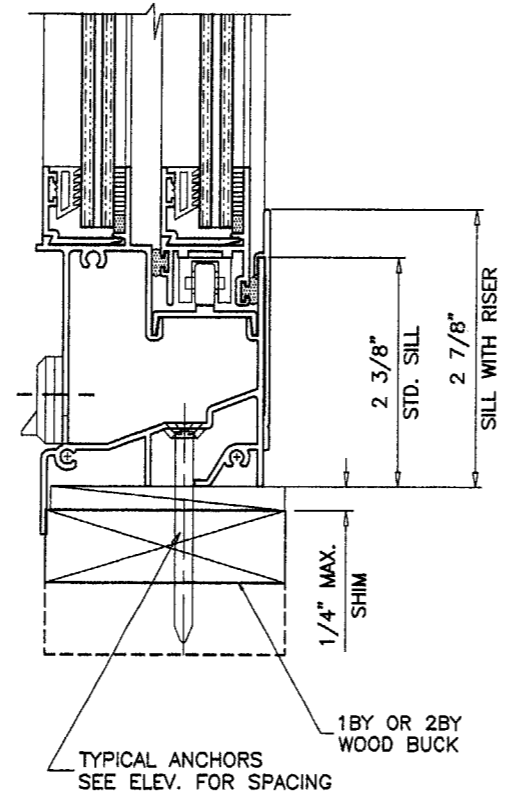
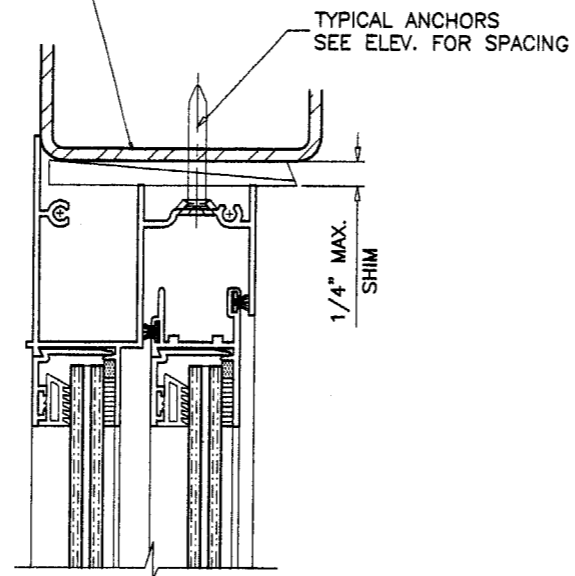
revisions:	no	date	description
	A	09/29/03	NO CHANGE THIS SHEET

date: 08-27-03
scale: 1/2" = 1'-0"
dr. by: HAMID
chk. by:

drawing no.
W03-75
sheet 2 of 5



METAL STRUCTURES
(STEEL OR ALUM. 1/8" MIN. THICK)
STEEL : Fy = 36 KSI MIN.
ALUMINUM : 6063-T5 MIN.



WOOD BUCKS NOT BY E.S. WINDOWS, MUST SUSTAIN LOADS IMPOSED BY GLAZING SYSTEM AND TRANSFER THEM TO THE BUILDING STRUCTURE.

TYPICAL ANCHORS: SEE ELEV. FOR SPACING

1/4" TAPCONS

INTO 2BY WOOD BUCKS OR WOOD STRUCTURE
1-3/8" MIN. PENETRATION INTO WOOD

THRU 1BY BUCKS INTO CONC. OR MASONRY
1-1/4" MIN. EMBED INTO CONC. OR MASONRY

DIRECTLY INTO CONC. OR MASONRY
1-1/4" MIN. EMBED INTO CONC. OR MASONRY

3/16" TEKS OR SELF DRILLING SCREWS

INTO METAL STRUCTURES (1/8" MIN. THICKNESS)
(1/4" MAX. SHIM SPACE)

#10 SMS OR SELF DRILLING SCREWS

INTO DADE COUNTY APPROVED MULLIONS
(NO SHIM SPACE)

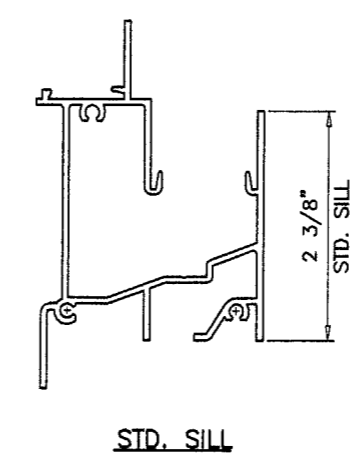
SEALANTS:

FRAME AND VENT CORNERS AND INSTALLATION SCREWS AT SILL
SEALED WITH WHITE/ALUMINUM COLORED SILICONE.

WEEPHOLES:

W1 = 1-13/16" X 1/4" WEEPHOLES AT 3" FROM EACH END
WITH PLASTIC BAFFLE

W2 = 1/4" WEEPHOLE AT TOP & BOTTOM RAIL 1" FROM EACH END



Approved as complying with the
Florida Building Code
Date 11/06/03
NOAR 03-0910.02
Miami Dade Product Control
Division
By: *Shirley Berman*

Engr: DR. HUMAYOUN FAROOQ
STRUCTURES
FLA. PE # 16557

OCT 2 2003

afc

AL-FAROOQ CORPORATION
ENGINEERS, PLANNERS & PRODUCT DESIGN
1235 SW 87 AVE
MIAMI, FLORIDA 33174
TEL. (305) 264-8100 FAX. (305) 262-6978
COMP-ANL\W03-75ES

SERIES-2000 ALUM HORIZ. SLIDING WDW. (L.M.I.)

E.S. WINDOWS
5220 N.W. 72 AVE. BAY #4
MIAMI, FL. 33166
TEL. (305) 640-9857 FAX. (305) 593-2074

no	date	description
A	09.29.03	STD. SILL DTL. ADDED

revisions:

date: 08-27-03

scale: 1/2" = 1"

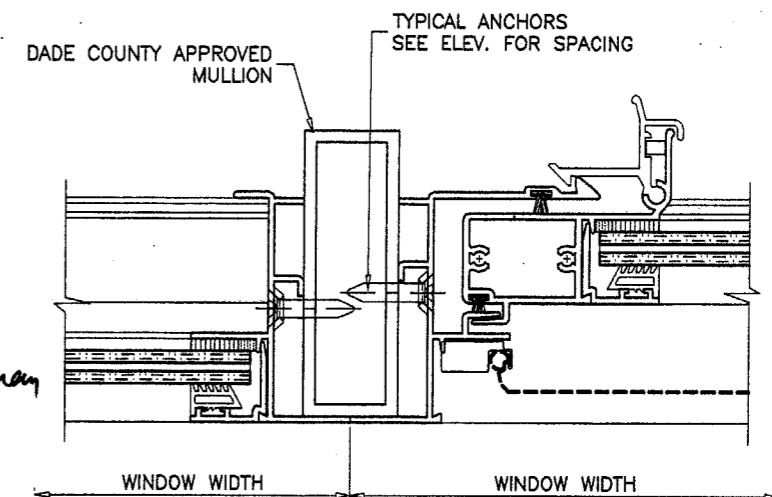
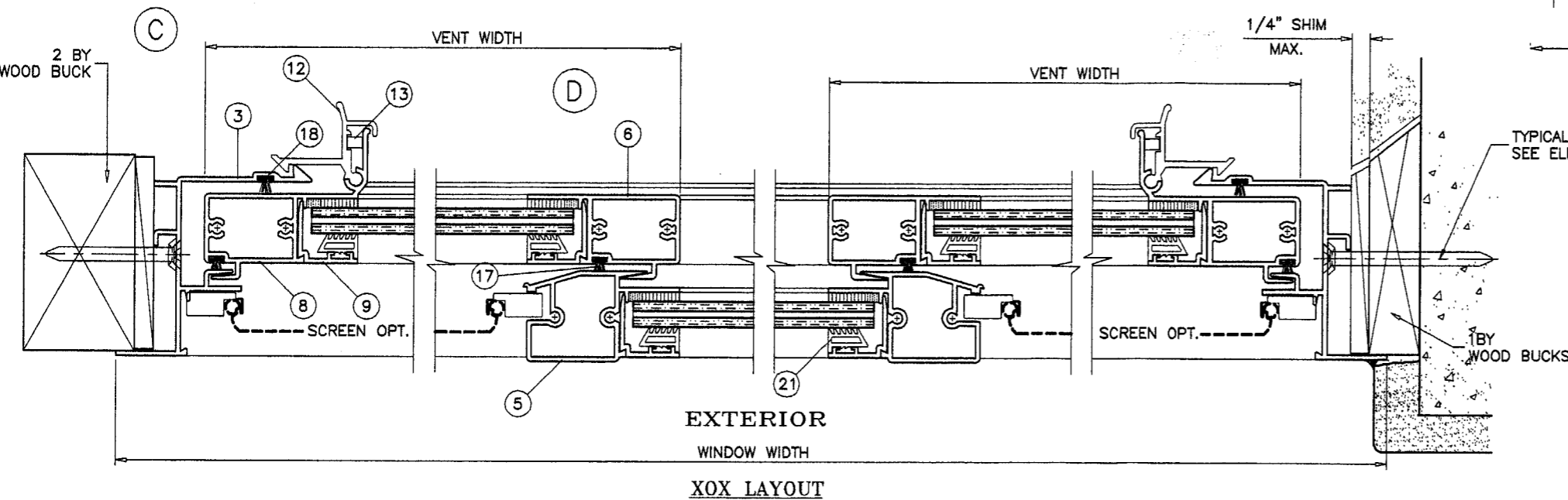
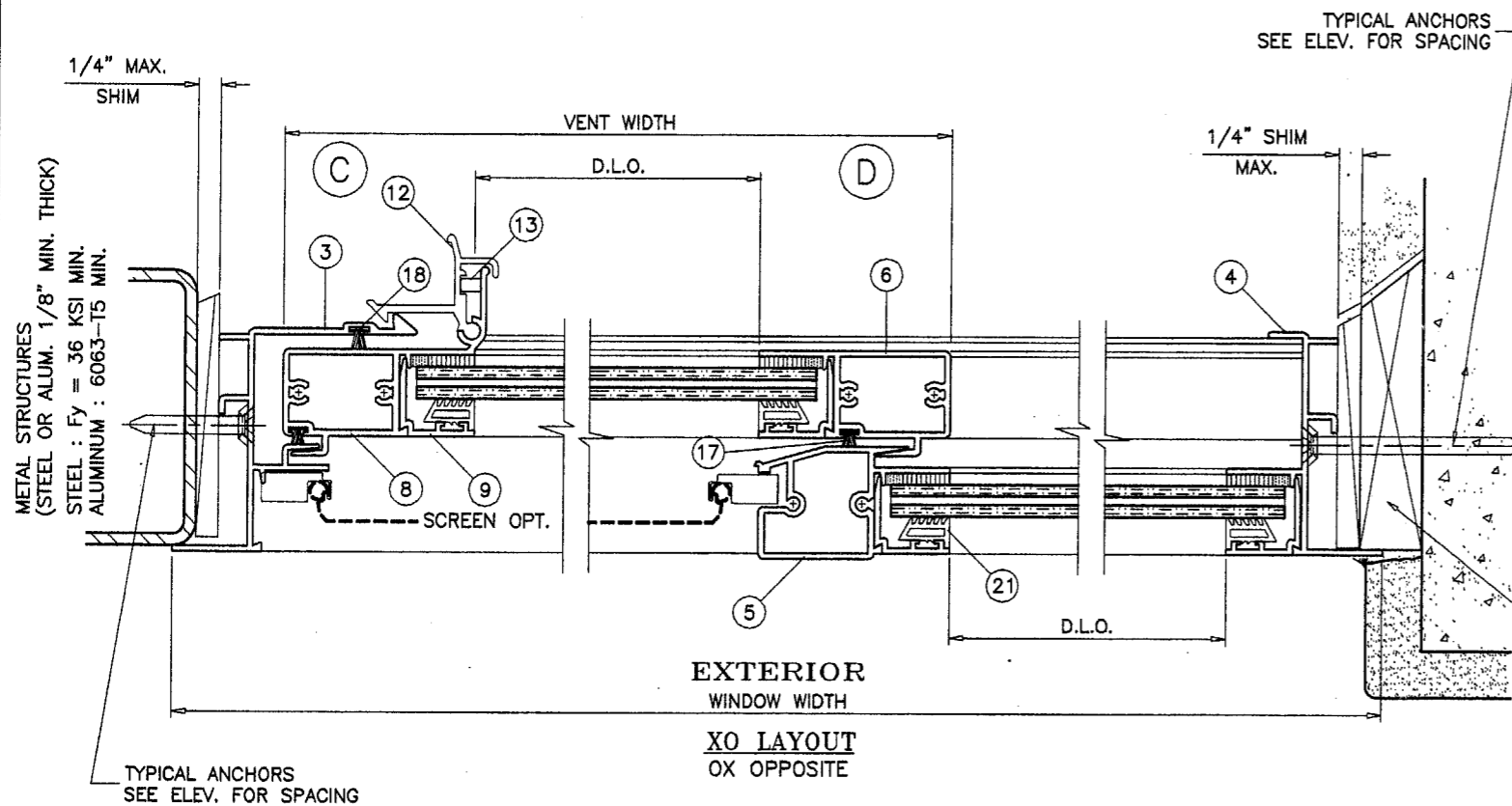
dr. by: HAMID

chk. by:

drawing no.
W03-75

sheet 3 of 5

ITEM	PART #	QUANTITY	DESCRIPTION	MATERIAL	MANF./SUPPLIER/REMARKS
1	ES2000-3-2	1	FRAME HEAD	6063-T5	-
2	ES2001-1	1	FRAME SILL	6063-T5	-
3	ES2000-3-1	1	FRAME JAMB VENT	6063-T5	-
4	ES2000-1	1	FRAME JAMB FIXED	6063-T5	-
5	ES2000-5-1	1/ VENT	FIXED RAIL	6063-T6	-
6	ES2000-4-1	1/ VENT	VENT MEETING RAIL	6063-T6	-
7	ES2000-7-1	2/ VENT	TOP AND BOTTOM RAIL	6063-T5	-
8	ES2000-6-1	1/ VENT	JAMB STILE	6063-T5	-
9	ES2000-8-1	AS REQD.	GLAZING BEAD	6063-T5	-
10	ES2002-1	1	SILL TRACK INSERT	6063-T5	-
11	ES2011	AS RTEQD.	SILL RISER	6063-T5	-
12	ES1009	2/ VENT	VENT LATCH	6063-T6	AT 8" FROM ENDS
13	ES1012	1/ LATCH	VENT LATCH SPRING	ST. STEEL	-
14	-	AS REQD.	FOAM FILLED FABRIC W'STRIPPING	-	SCHLEGEL
15	#8 X 1"	AS REQD.	FRAME/VENT ASSEMBLY SCREWS	CRS	P.H. SMS
16	#8 X 3"	2/ VENT	FIX. RAIL SILL SCREWS (SILL END)	CRS	P.H. SMS
17	43620-187	AS REQD.	VENT & FIX. RAIL W'STRIPPING	-	AMESBURY OR EQUIV.
18	43628-187	AS REQD.	FRAME JAMB W'STRIPPING	-	AMESBURY OR EQUIV.
19	WPHL-100	2	BAFFLE	-	M & M PLASTICS
20	#6 X 3/8"	2/ BAFFLE	BAFFLE SCREW	-	P.H. SMS
21	ES1010	AS REQD.	GLAZING GASKET	SOFT PVC	-
22	ES2007	4/ VENT	ROLLER HOUSING & GUIDE	PLASTIC	-
23	ES2006	2/ VENT	ROLLER	BRASS/ST. ST.	-
24	ES2005	2/ VENT	ROLLER PIN	ST. STEEL	-
25	-	1/ WEEP	OPEN CELL FOAM PAD	-	1" X 3/4" X 1" LONG
26	-	1/ VENT	5/16" BOX SCREEN	-	OPTIONAL



Approved as complying with the
Florida Building Code
Date 11/06/03
NOA# 03-0910.02
Miami State Product Control
By *Heather Berman*

Engr: DR. HUMAYOUN FAROOQ
STRUCTURES
FLA. PE # 16557

OCT - 2 2003

afc

AL-FAROOQ CORPORATION
ENGINEERS, PLANNERS & PRODUCT DESIGN
1235 SW 87 AVE
MIAMI, FLORIDA 33174
TEL. (305) 264-8100 FAX. (305) 262-6978
COMP-ANI\W03-75ES

SERIES-2000 ALUM. HORIZ. SLIDING WDW. (L.M.I.)

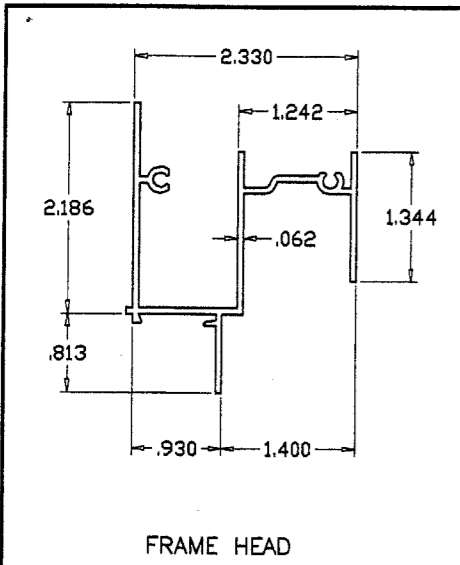
E.S. WINDOWS
5220 N.W. 72 AVE. BAY #4
MIAMI, FL. 33166
TEL. (305) 640-9857 FAX. (305) 593-2074

no	date	by	description
A	09.29.03		NO CHANGE THIS SHEET

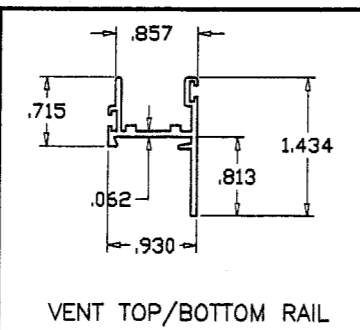
date: 08-27-03
scale: 1/2" = 1"
dr. by: HAMID
chk. by:

drawing no.
W03-75

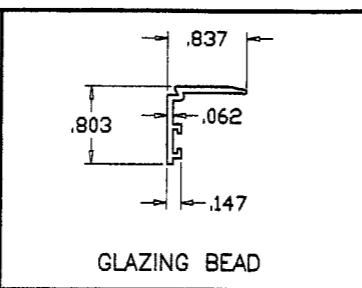
sheet 4 of 5



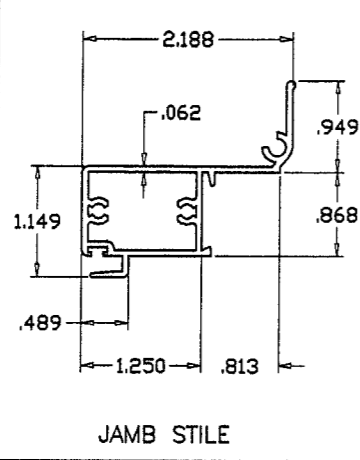
FRAME HEAD



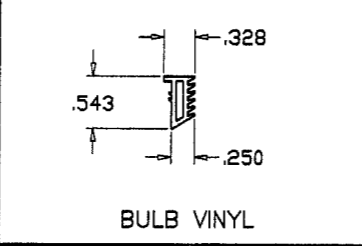
VENT TOP/BOTTOM RAIL



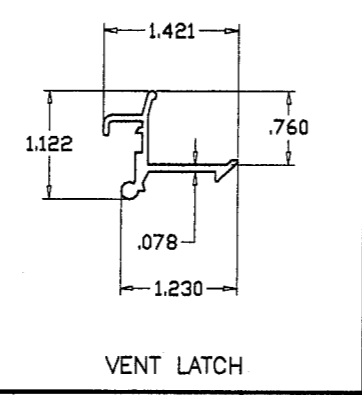
GLAZING BEAD



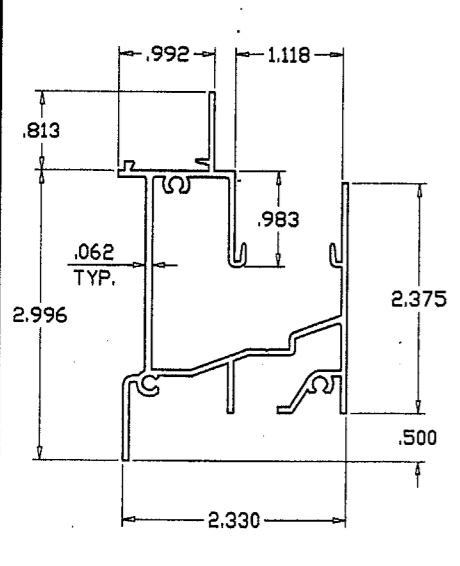
JAMB STILE



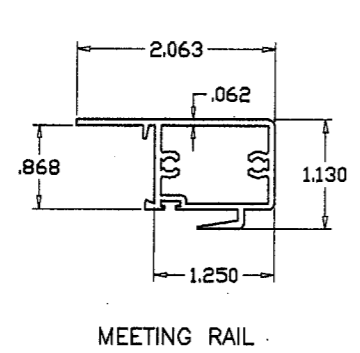
BULB VINYL



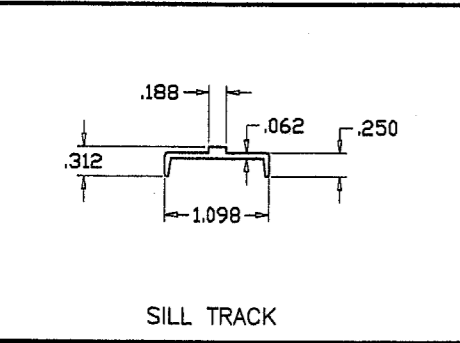
VENT LATCH



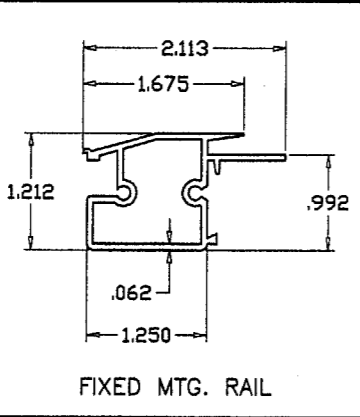
FRAME SILL



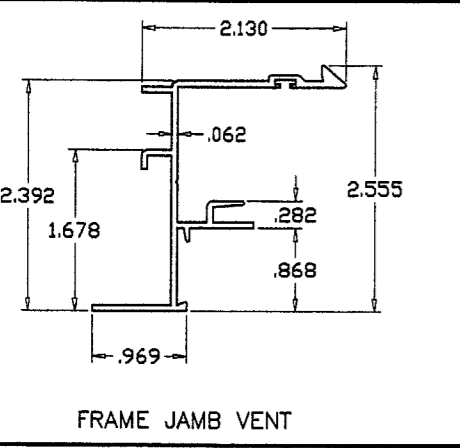
MEETING RAIL



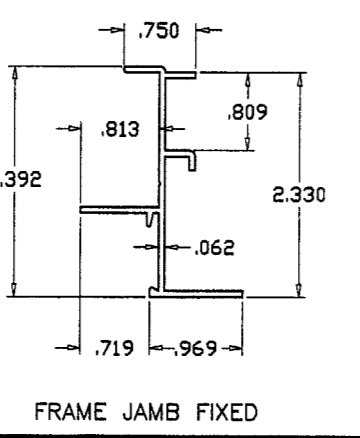
SILL TRACK



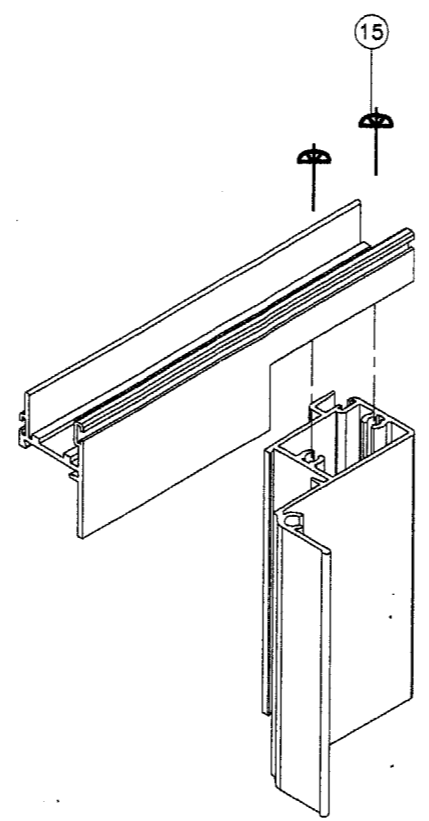
FIXED MTG. RAIL



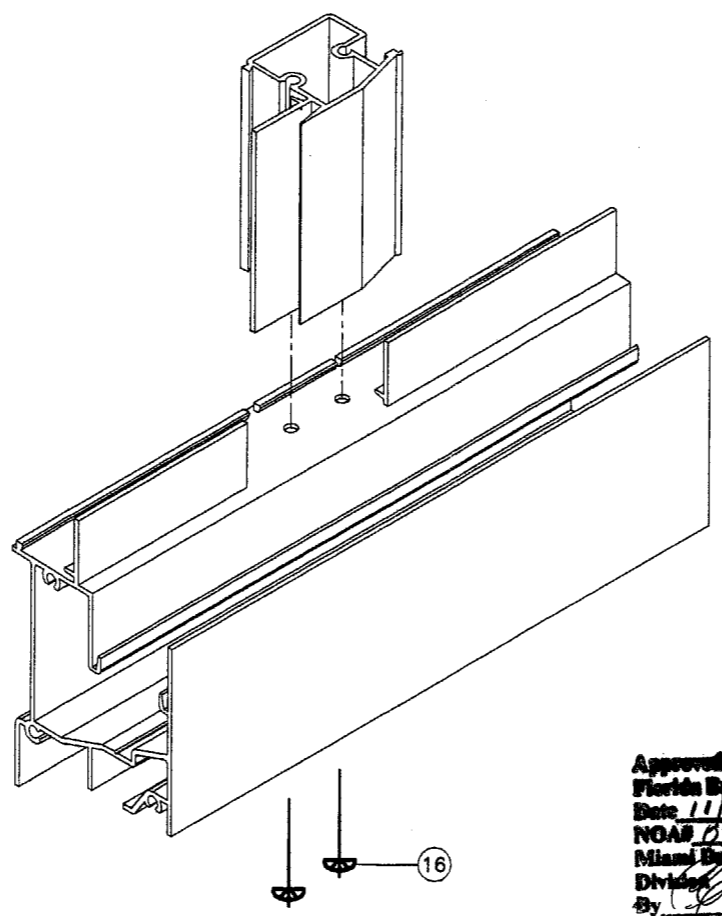
FRAME JAMB VENT



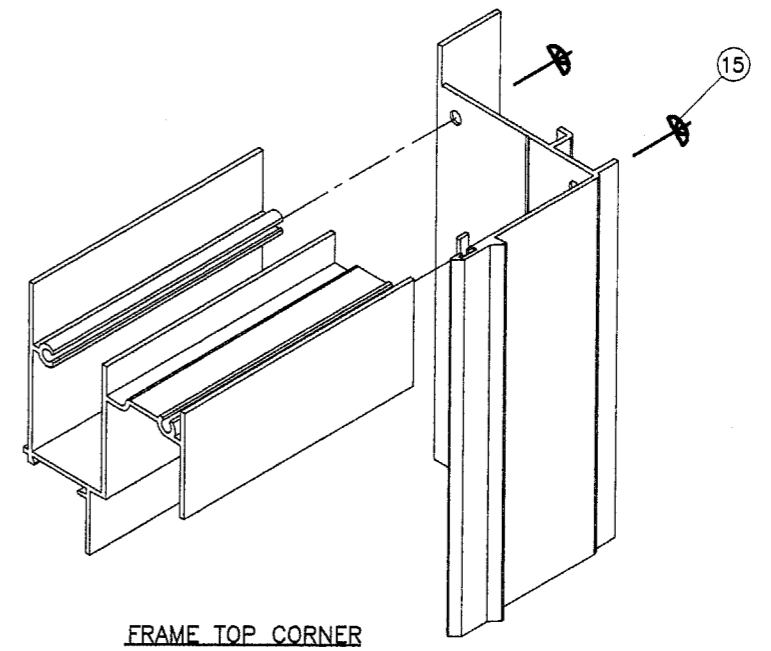
FRAME JAMB FIXED



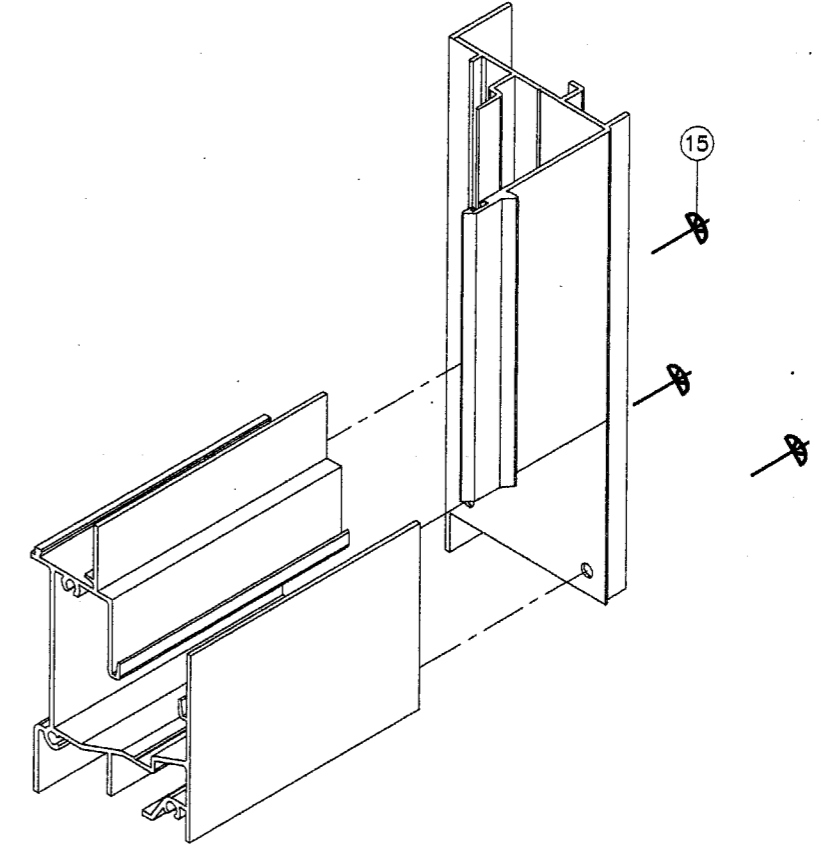
VENT TOP/BOTTOM CORNERS



FIXED MTG. RAIL CORNER



FRAME TOP CORNER



FRAME BOTTOM CORNER

Approved as complying with the Florida Building Code
 Date: 11/06/03
 NOA# 03-0910.02
 Miami Dade Product Control
 Division
 By: *Devane Berman*

Engr: DR. HUMAYOUN FAROOQ
 STRUCTURES
 FLA. PE # 16557
 OCT 2 2003

afc

AL-FAROOQ CORPORATION
 ENGINEERS, PLANNERS & PRODUCT DESIGN
 1235 SW 87 AVE
 MIAMI, FLORIDA 33174
 TEL. (305) 264-8100 FAX. (305) 262-6978
 COMP-ANL\W03-75ES

SERIES-2000 ALUM. HORIZ. SLIDING WDW. (L.M.I.)
E.S. WINDOWS
 5220 N.W. 72 AVE. BAY #4
 MIAMI, FL. 33166
 TEL. (305) 640-9857 FAX. (305) 593-2074

no	date	by	description
A	09.29.03		NO CHANGE THIS SHEET

revisions:

date: 08-27-03
 scale: 1/2" = 1"
 dr. by: HAMID
 chk. by:

drawing no.
W03-75
 sheet 5 of 5