



**BUILDING CODE COMPLIANCE OFFICE (BCCO)  
PRODUCT CONTROL DIVISION**

**MIAMI-DADE COUNTY, FLORIDA  
METRO-DADE FLAGLER BUILDING  
140 WEST FLAGLER STREET, SUITE 1603  
MIAMI, FLORIDA 33130-1563  
(305) 375-2901 FAX (305) 375-2908**

**NOTICE OF ACCEPTANCE (NOA)**

**E.S. Windows  
5220 NW 72<sup>nd</sup> Ave. Bay #4  
Miami, FL 33166**

**SCOPE:**

This NOA is being issued under the applicable rules and regulations governing the use of construction materials. The documentation submitted has been reviewed by Miami-Dade County Product Control Division and accepted by the Board of Rules and Appeals (BORA) to be used in Miami Dade County and other areas where allowed by the Authority Having Jurisdiction (AHJ).

This NOA shall not be valid after the expiration date stated below. The Miami-Dade County Product Control Division (In Miami Dade County) and/or the AHJ (in areas other than Miami Dade County) reserve the right to have this product or material tested for quality assurance purposes. If this product or material fails to perform in the accepted manner, the manufacturer will incur the expense of such testing and the AHJ may immediately revoke, modify, or suspend the use of such product or material within their jurisdiction. BORA reserves the right to revoke this acceptance, if it is determined by Miami-Dade County Product Control Division that this product or material fails to meet the requirements of the applicable building code.

This product is approved as described herein, and has been designed to comply with the Florida Building Code, including the High Velocity Hurricane Zone.

**DESCRIPTION: Series 4000 Aluminum Sliding Glass Door -LMI**

**APPROVAL DOCUMENT:** Drawing No. **W03-100**, titled "Series-4000 Aluminum Sliding Patio Door (LMI), sheets 1 through 5 of 5, prepared by Al-Farooq Corporation, dated 11/08/03 with revision "B" on 11/02/04, signed and sealed by Humayoun Farooq, P.E., bearing the Miami-Dade County Product Control Revision stamp with the Notice of Acceptance number and expiration date by the Miami-Dade County Product Control Division.

**MISSILE IMPACT RATING: Large and Small Missile Impact**

**LABELING:** Each unit shall bear a permanent label with the manufacturer's name or logo, city, state and following statement: "Miami-Dade County Product Control Approved", unless otherwise noted herein.

**RENEWAL** of this NOA shall be considered after a renewal application has been filed and there has been no change in the applicable building code negatively affecting the performance of this product.


**TERMINATION** of this NOA will occur after the expiration date or if there has been a revision or change in the materials, use, and/or manufacture of the product or process. Misuse of this NOA as an endorsement of any product, for sales, advertising or any other purposes shall automatically terminate this NOA. Failure to comply with any section of this NOA shall be cause for termination and removal of NOA.

**ADVERTISEMENT:** The NOA number preceded by the words Miami-Dade County, Florida, and followed by the expiration date may be displayed in advertising literature. If any portion of the NOA is displayed, then it shall be done in its entirety.

**INSPECTION:** A copy of this entire NOA shall be provided to the user by the manufacturer or its distributors and shall be available for inspection at the job site at the request of the Building Official.

This NOA **revises** NOA # **03-1208.02** consists of this page 1 and evidence page E-1, E-2 and E-3, as well as approval document mentioned above.

The submitted documentation was reviewed by **Herminio F. Gonzalez, P.E., Director, BCCO**

*Jay*  
*12/1/04*  


**NOA No 04-1117.05  
Expiration Date: March 18, 2009  
Approval Date: December 23, 2004  
Page 1**

E.S. Windows

**NOTICE OF ACCEPTANCE: EVIDENCE SUBMITTED**

**A. DRAWINGS**

1. Manufacturer's die drawings and sections.  
Drawing No. **W03-100**, titled "Series-4000 Aluminum Sliding Patio Door (LMI), sheets 1 through 5 of 5, prepared by Al-Farooq Corporation, dated 11/08/03 with revision "**B**" on 11/02/04, signed and sealed by Humayoun Farooq, P.E.

**B. TESTS**

1. Test reports on
  - 1) Air Infiltration Test, per FBC, TAS 202-94
  - 2) Uniform Static Air Pressure Test, Loading per FBC, TAS 202-94
  - 3) Water Resistance Test, per FBC, TAS 202-94
  - 4) Large Missile Impact Test per FBC, TAS 201-94
  - 5) Cyclic Wind Pressure Loading per FBC, TAS 203-94
  - 6) Forced Entry Test, per FBC 2411 3.2.1 and TAS 202-94

along with marked-up drawings and installation diagram of an Aluminum Sliding Glass Door, prepared by Fenestration Testing Laboratory, Inc., Test Report No. **FTL-3908**, dated 10/09/03, signed and sealed by Joseph Chan, P.E.

***"Submitted under NOA # 03-1208.02"***

2. Test reports on
  - 1) Air Infiltration Test, per FBC, TAS 202-94
  - 2) Uniform Static Air Pressure Test, Loading per FBC, TAS 202-94
  - 3) Water Resistance Test, per FBC, TAS 202-94
  - 4) Large Missile Impact Test per FBC, TAS 201-94
  - 5) Cyclic Wind Pressure Loading per FBC, TAS 203-94
  - 6) Forced Entry Test, per FBC 2411 3.2.1 and TAS 202-94

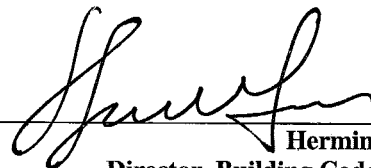
along with marked-up drawings and installation diagram of an Aluminum Sliding Glass Door, prepared by Fenestration Testing Laboratory, Inc., Test Report No. **FTL-3910**, dated 09/30/03, signed and sealed by Joseph Chan, P.E.

***"Submitted under NOA # 03-1208.02"***

3. Test reports on
  - 1) Air Infiltration Test, per FBC, TAS 202-94
  - 2) Uniform Static Air Pressure Test, Loading per FBC, TAS 202-94
  - 3) Water Resistance Test, per FBC, TAS 202-94
  - 4) Large Missile Impact Test per FBC, TAS 201-94
  - 5) Cyclic Wind Pressure Loading per FBC, TAS 203-94
  - 6) Forced Entry Test, per FBC 2411 3.2.1 and TAS 202-94

along with marked-up drawings and installation diagram of an Aluminum Sliding Glass Door, prepared by Fenestration Testing Laboratory, Inc., Test Report No. **FTL-3909**, dated 09/26/03, signed and sealed by Joseph Chan, P.E.

***"Submitted under NOA # 03-1208.02"***



Herminio F. Gonzalez, P.E.  
Director, Building Code Compliance Office  
NOA No 04-1117.05

Expiration Date: March 18, 2009  
Approval Date: December 23, 2004

**E.S. Windows**

**NOTICE OF ACCEPTANCE: EVIDENCE SUBMITTED**

4. Test reports on
  - 1) Air Infiltration Test, per FBC, TAS 202-94
  - 2) Uniform Static Air Pressure Test, Loading per FBC, TAS 202-94
  - 3) Water Resistance Test, per FBC, TAS 202-94
  - 4) Large Missile Impact Test per FBC, TAS 201-94
  - 5) Cyclic Wind Pressure Loading per FBC, TAS 203-94
  - 6) Forced Entry Test, per FBC 2411 3.2.1 and TAS 202-94

along with marked-up drawings and installation diagram of an Aluminum Sliding Glass Door, prepared by Fenestration Testing Laboratory, Inc., Test Report No. **FTL-4287**, dated 09/22/04, signed and sealed by Edmundo Largaespada, P.E.

**C. CALCULATIONS**

1. Anchor Calculations, ASTM-E1300, and structural analysis, prepared by Al-Farooq Corporation, dated 11/07/03, signed and sealed by Humayoun Farooq, P.E.  
***“Submitted under NOA # 03-1208.02”***
2. Revised Anchor Calculations, and structural analysis, prepared by Al-Farooq Corporation, dated 11/07/03, signed and sealed by Humayoun Farooq, P.E.  
***“Submitted under NOA # 03-1208.02”***
3. Anchor Calculations, ASTM-E1300, and structural analysis, prepared by Al-Farooq Corporation, dated 10/29/04, signed and sealed by Humayoun Farooq, P.E.

**D. QUALITY ASSURANCE**

1. Miami Dade Building Code Compliance Office (BCCO).

**E. MATERIAL CERTIFICATIONS**

1. Notice of Acceptance No. **01-1204.01** issued to “E.I. DuPont DeNemours” for “Sentry Glass ® Plus” dated 01/17/02, expiring on 01/14/07.
2. Notice of Acceptance No. **00-1212.04** issued to “E.I. DuPont DeNemours” for “Dupont Butacite ® PVB” dated 02/15/01, expiring on 12/11/05.

**F. STATEMENTS**

1. Statement letter of compliance and of no financial interest, dated 11/07/03, signed and sealed by Humayoun Farooq, P.E.  
***“Submitted under NOA # 03-1208.02”***
2. Statement letter of no financial interests, date 12/16/03, signed and sealed by Humayoun Farooq, P.E.  
***“Submitted under NOA # 03-1208.02”***
3. Statement Letter of compliance and of no financial interest, dated 10/29/04, signed and sealed by Humayoun Farooq, P.E.



**Herminio F. Gonzalez, P.E.**  
**Director, Building Code Compliance Office**  
**NOA No 04-1117.05**

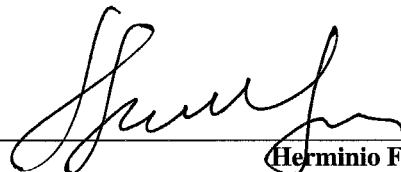
**Expiration Date: March 18, 2009**  
**Approval Date: December 23, 2004**

E.S. Windows

NOTICE OF ACCEPTANCE: EVIDENCE SUBMITTED

**G. OTHER**

1. Letter from the consultant stating that the product is in compliance with the Florida Building Code.
2. Notice of Acceptance No. **03-1208.02**, E.S. Windows, " Series 3000 Aluminum Sliding Glass Door (L.M.I.), approved on March 18, 2004 and expiring on March 18, 2008.

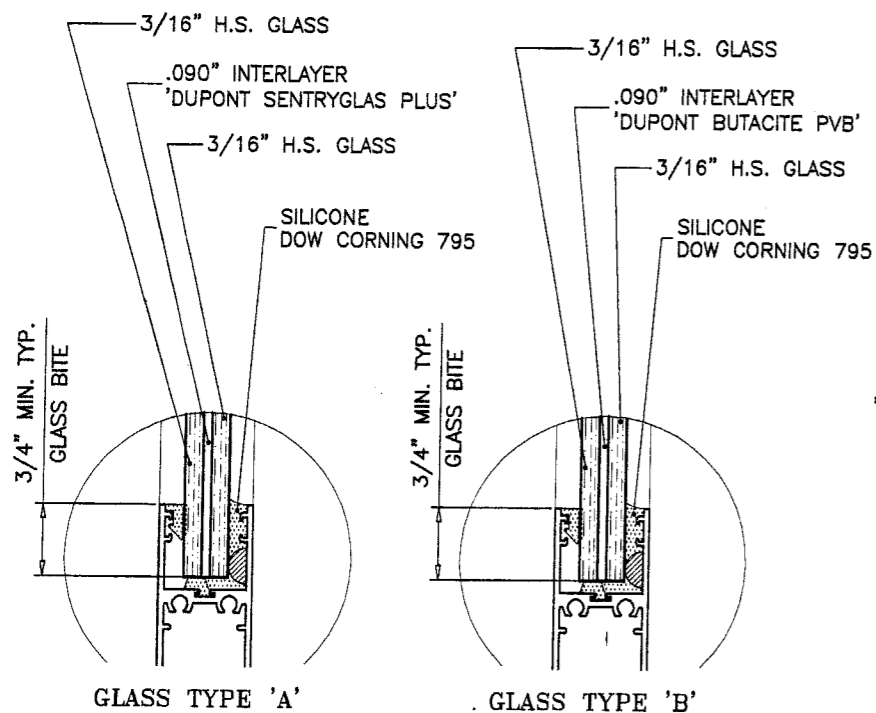


**Herminio F. Gonzalez, P.E.**  
**Director, Building Code Compliance Office**

**NOA No 04-1117.05**

**Expiration Date: March 18, 2009**

**Approval Date: December 23, 2004**



DOORS GLAZED WITH LAMINATED GLASS RATED FOR LARGE MISSILE IMPACT AND REQUIRE NO SHUTTERS.

**SERIES-4000 ALUM SLIDING GLASS DOOR**

DESIGN LOAD RATING FOR DOORS TO BE AS PER CHART SHOWN.

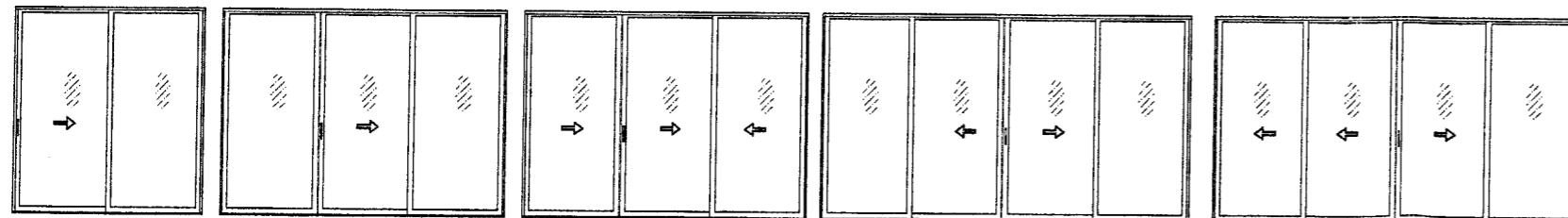
THIS PRODUCT HAS BEEN DESIGNED AND TESTED TO COMPLY WITH THE REQUIREMENTS OF THE FLORIDA BUILDING CODE INCLUDING HIGH VELOCITY HURRICANE ZONE.

WOOD BUCKS BY OTHERS, MUST BE ANCHORED PROPERLY TO TRANSFER LOADS TO THE STRUCTURE.

ANCHORS SHALL BE AS LISTED, SPACED AS SHOWN ON DETAILS. ANCHOR EMBEDMENT TO BASE MATERIAL SHALL BE BEYOND WALL DRESSING OR STUCCO.

ANCHORING OR LOADING CONDITIONS NOT SHOWN IN THESE DETAILS ARE NOT PART OF THIS APPROVAL.

A 33% INCREASE IN ALLOWABLE STRESS WAS USED IN DESIGN OF ANCHORS.



XO (SHOWN)  
OX  
XX

OXO (SHOWN)  
XXX

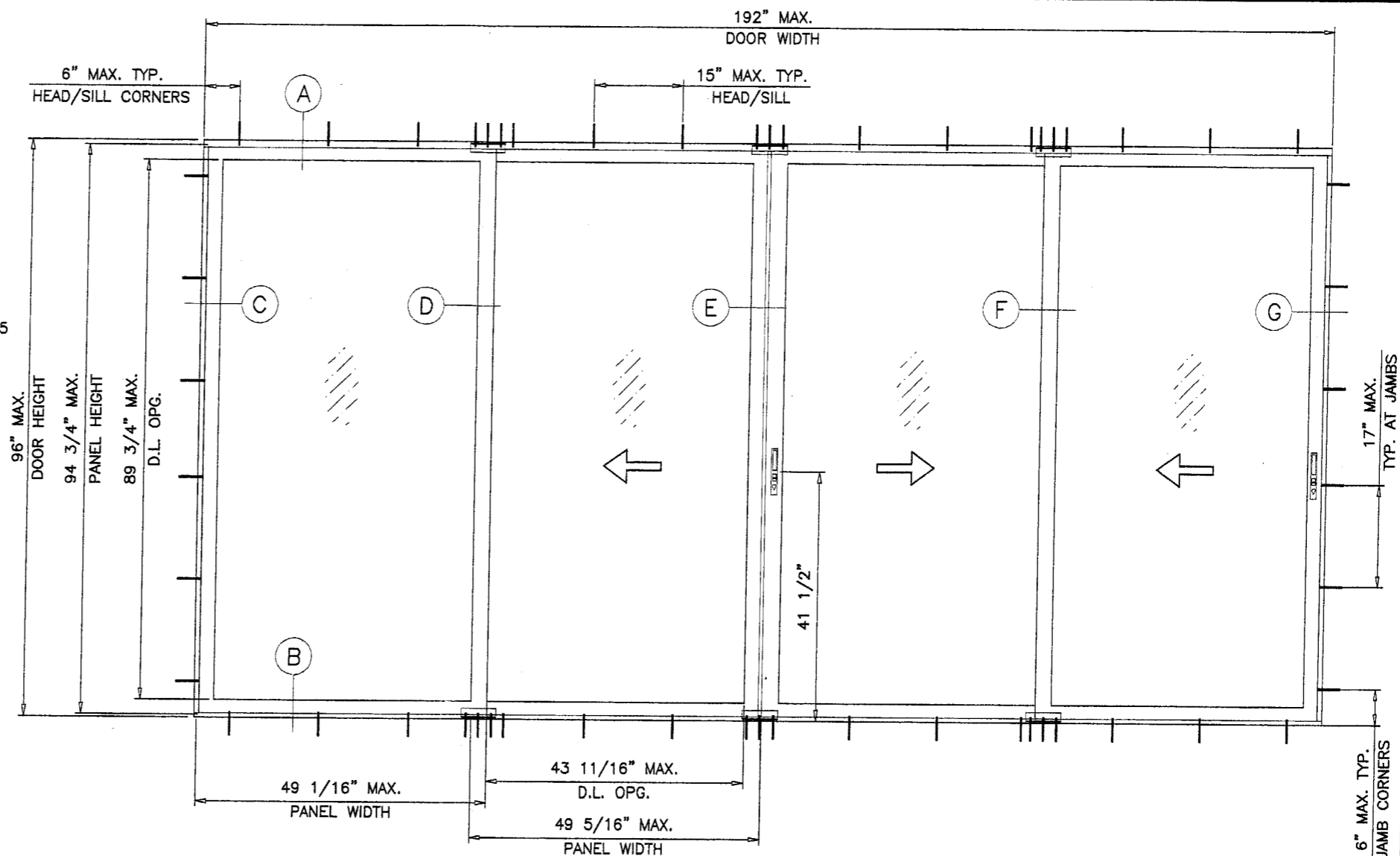
XXX (SHOWN)

OXXO

XXXO (SHOWN)  
XXXX

**APPROVED CONFIGURATIONS**

TWO TRACK FRAME DOOR CONFIGURATIONS OF MORE THAN FOUR PANELS USING STILE COMBINATIONS SHOWN IN THESE DETAILS MAY ALSO BE APPROVED (EXAMPLE OOXO).



TYPICAL ELEVATION  
TESTED UNIT

SEE SHEET 2 FOR  
XO OR XX DOORS  
WITH HEAVY REINFORCING

DESIGN LOAD CAPACITY - PSF GLASS TYPES 'A' OR 'B'							
PANEL WIDTH NOMINAL FT./IN.	DOOR HEIGHT FT./IN.	HEAVY REINF'G		MEDIUM REINFOR'G		NO REINFOR'G	
		EXT. (+)	INT. (-)	EXT. (+)	INT. (-)	EXT. (+)	INT. (-)
2/6	6/8	70.0	80.0	70.0	80.0	70.0	80.0
3/0		70.0	80.0	70.0	80.0	70.0	80.0
3/6		70.0	80.0	70.0	80.0	-	-
4/0		70.0	80.0	-	-	-	-
4/6		70.0	80.0	-	-	-	-
2/6	8/0	70.0	80.0	70.0	80.0	-	-
3/0		70.0	80.0	70.0	80.0	-	-
3/6		70.0	80.0	-	-	-	-
4/0		70.0	80.0	-	-	-	-

**PRODUCT REVISED**  
as complying with the Florida  
Building Code  
Acceptance No. 04-1117.05  
Expiration Date 03/11/09  
By: [Signature]  
Nalco Building Product Control  
Division

Engr: DR. HUMAYOUN FAROOQ  
STRUCTURES  
FLA. PE # 18357  
C.A.N. 3538

NOV 15 2004

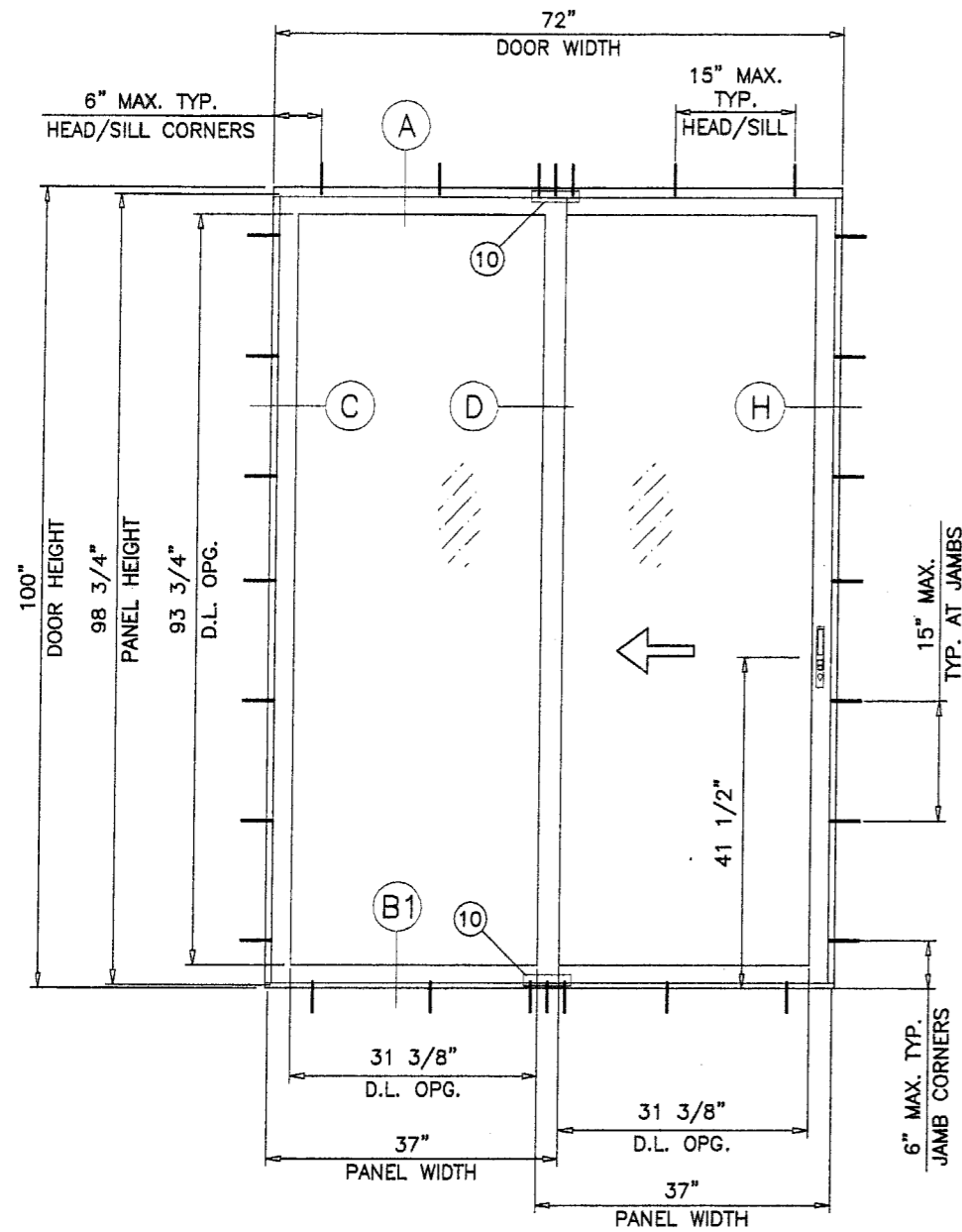
**afc**  
AL-FAROOQ CORPORATION  
ENGINEERS, PLANNERS & PRODUCT DESIGN  
1235 SW 87 AVE  
MIAMI, FLORIDA 33174  
TEL. (305) 264-8100 FAX. (305) 262-6978  
COMP-ANL\W03-100ES

SERIES-4000 ALUM SLIDING GLASS DOOR (L.M.I.)  
E.S. WINDOWS  
5220 N.W. 72 AVE. BAY #4  
MIAMI, FL. 33166  
TEL. (305) 640-9857 FAX. (305) 593-2074

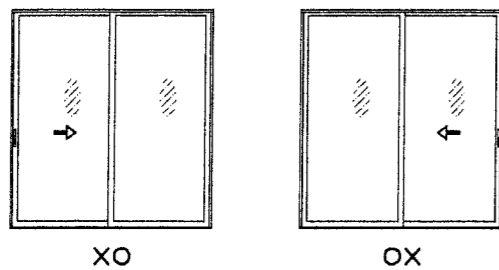
no.	date	description
A	01.22.04	NO CHANGE THIS SHEET
B	11.02.04	NOTE REV.

date: 11-08-03  
scale: 1/2"=1'-0"  
dr. by: HAMID  
chk. by:

drawing no.  
**W03-100**  
sheet 1 of 5



TYPICAL ELEVATION

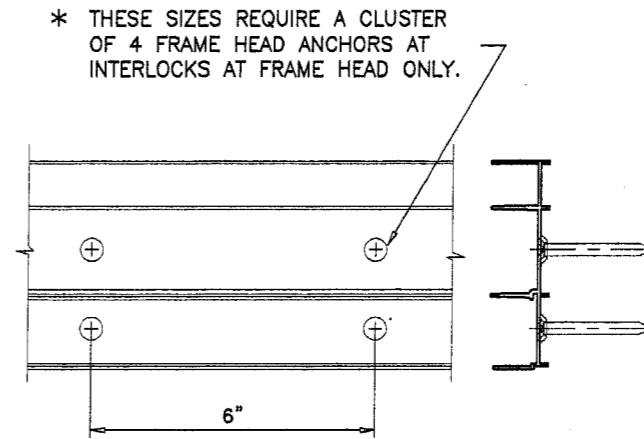


APPROVED CONFIGURATIONS

SEE SHEET 1 FOR DOORS WITH MEDIUM OR NO REINFORCING

DESIGN LOAD CAPACITY - PSF GLASS TYPES 'A' OR 'B'			
PANEL WIDTH NOMINAL FT./IN.	DOOR HEIGHT FT./IN.	HEAVY REINF'G	
		EXT. (+)	INT. (-)
2/6	6/8	80.0	103.0
3/0		80.0	103.0
3/6		80.0	103.0
3/9	8/0	80.0	103.0
2/6		80.0	103.0
3/0	8/4	80.0	103.0
2/6		80.0	103.0

THE SHOWN EXT. (+) LOADS REQUIRE 3-1/4" SILL HEIGHT (DTL. B1 ON SHEET 2).  
REDUCE EXT. (+) LOAD CAPACITY TO +70.0 PSF IF 2-1/2" SILL HEIGHT IS USED  
INT. (-) LOADS REMAIN UNCHANGED.



**PRODUCT REVISED**  
as complying with the Florida  
Building Code  
Acceptance No. **04-1117.05**  
Expiration Date **03/18/09**  
By *[Signature]*  
Miami Door Product Control  
Division

Eng: DR. HJUMAYOUN FAROQ  
STRUCTURES  
FLA. PE # 15557  
C.A.N. 3538  
*[Signature]*  
NOV 15 2004

**afc**

**AL-FAROQ CORPORATION**  
ENGINEERS, PLANNERS & PRODUCT DESIGN  
1235 SW 87 AVE  
MIAMI, FLORIDA 33174  
TEL. (305) 264-8100 FAX. (305) 262-6978  
COMP-ANL\W03-100ES

---

SERIES-4000 ALUM SLIDING GLASS DOOR (L.M.I.)

**E.S. WINDOWS**  
5220 N.W. 72 AVE. BAY #4  
MIAMI, FL. 33166  
TEL. (305) 640-9857 FAX. (305) 593-2074

---

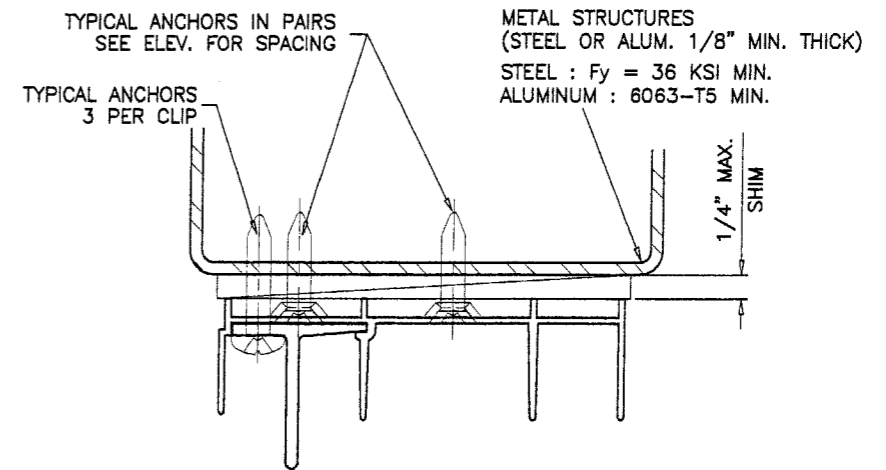
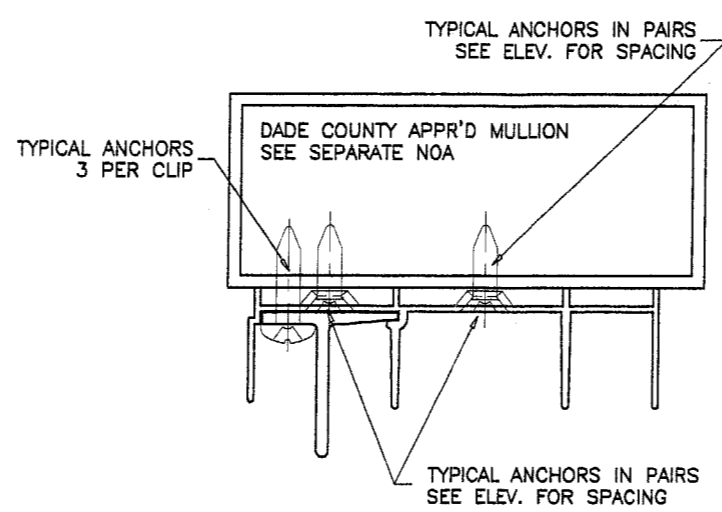
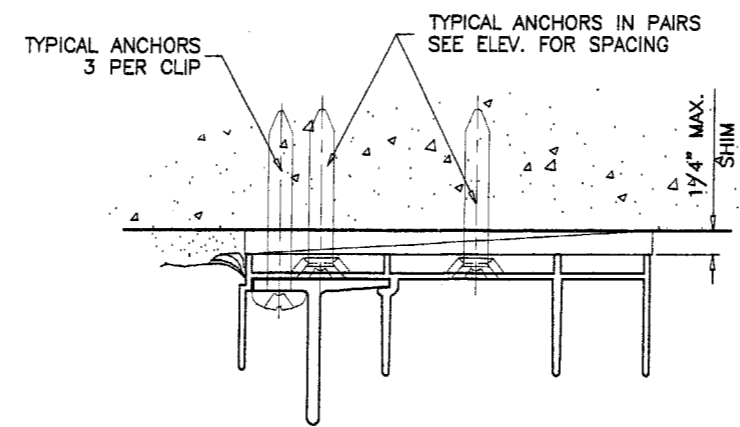
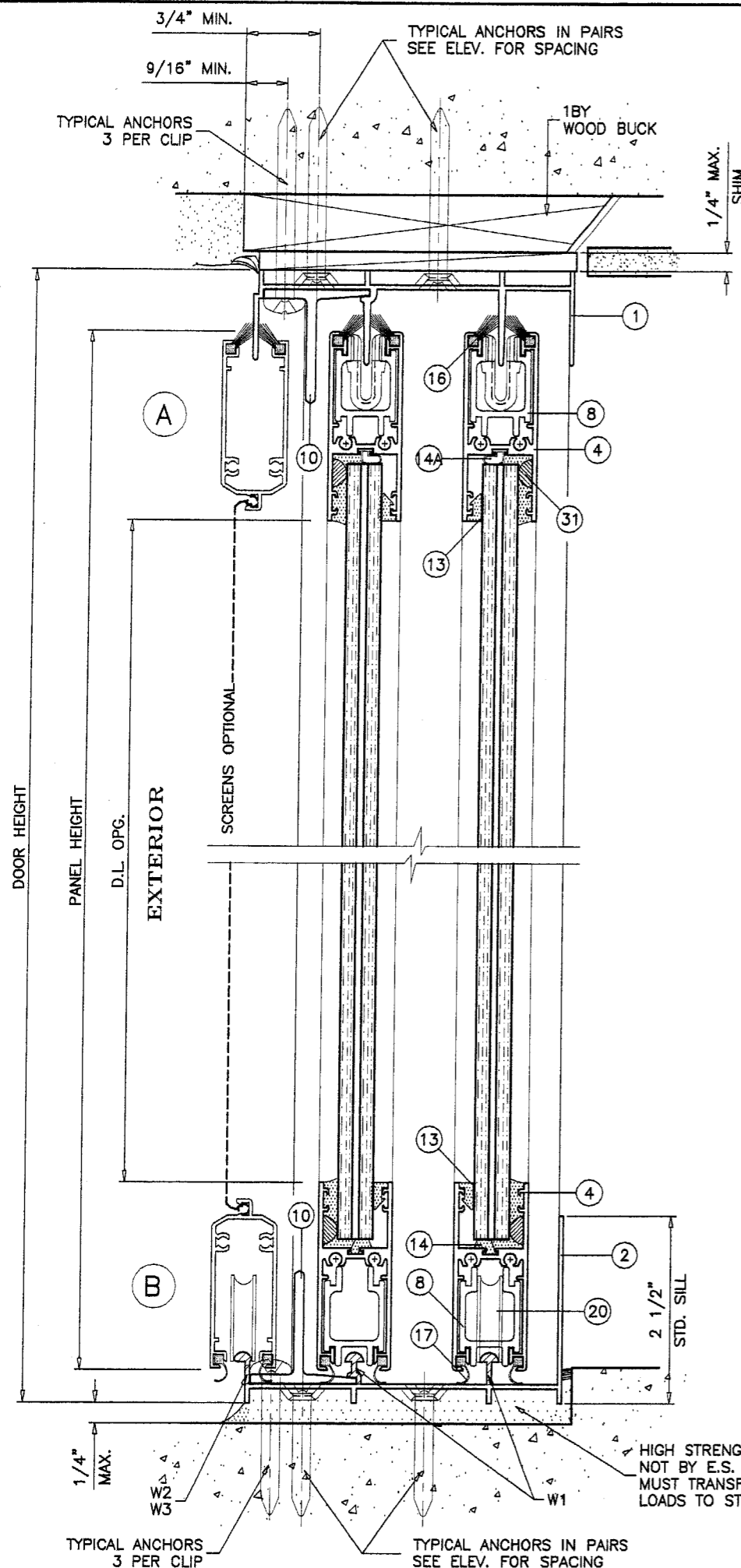
revisions:	no	date	by	description
	A	01.22.04		NO CHANGE THIS SHEET
	B	11.02.04		SHEET ADDED

---

date: 11-08-03  
scale: 1/2"=1'-0"  
dr. by: HAMID  
chk. by:

---

drawing no.  
**W03-100**  
sheet 1A of 5



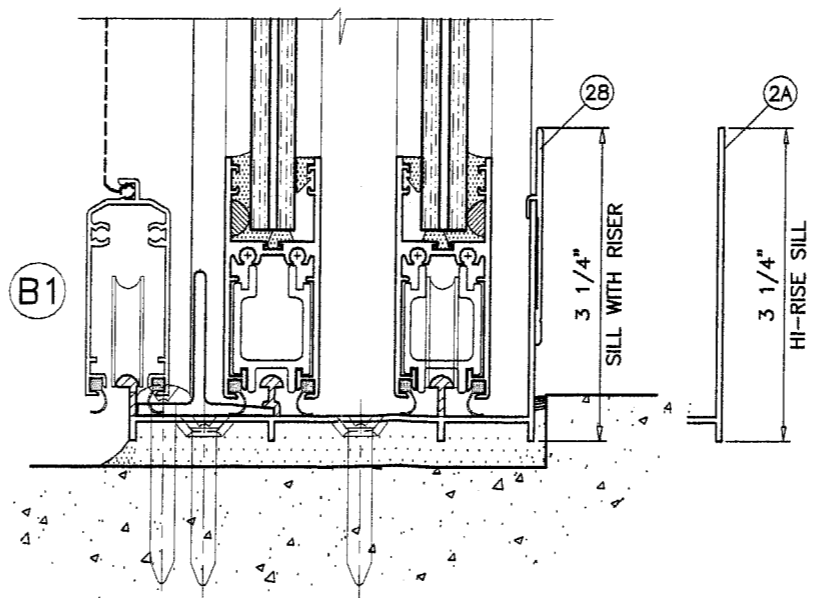
WOOD BUCKS NOT BY E.S. WINDOWS, MUST SUSTAIN LOADS IMPOSED BY GLAZING SYSTEM AND TRANSFER THEM TO THE BUILDING STRUCTURE.

**TYPICAL ANCHORS:** SEE ELEV. FOR SPACING  
**1/4" TAPCONS** (BY ELCO TEXTRON)  
 INTO 2BY WOOD BUCKS OR WOOD STRUCTURE  
 1-3/8" MIN. PENETRATION INTO WOOD  
 THRU 1BY BUCKS INTO CONC. OR MASONRY  
 1-1/4" MIN. EMBED INTO CONC. OR MASONRY  
 DIRECTLY INTO CONC. OR MASONRY  
 1-1/4" MIN. EMBED INTO CONC. OR MASONRY  
**3/16" TEKS OR SELF DRILLING SCREWS (GRADE 5 CRS)**  
 INTO METAL STRUCTURES (1/8" MIN. THICKNESS)  
 (1/4" MAX. SHIM SPACE)

**#12 SMS OR SELF DRILLING SCREWS**  
 INTO DADE COUNTY APPROVED MULLIONS  
 (NO SHIM SPACE)

**SEALANT:**  
 ALL JOINTS AND FRAME CONNECTIONS SEALED WITH WHITE/ALUMINUM COLORED SILICONE.

**WEEPHOLES:**  
 W1 = 1-3/4" WEEP NOTCH AT EACH END  
 W2 = 3/4" WEEP NOTCH AT EACH END  
 W3 = 3" x 1/4" WEEP HOLES AT 2" FROM EACH END



Engr. DR. HUSAYOUN FAROOQ  
 STRUCTURES  
 FLA. PE # 10557  
 C.A.N. 3538  
 NOV 15 2004

**PRODUCT REVISED**  
 as complying with the Florida  
 Building Code  
 Acceptance No. 04-1117-05  
 Expiration Date 02/15/09  
 By: *[Signature]*  
 Miami/Dade Product Control  
 Division

**afsc**

**AL-FAROOQ CORPORATION**  
 ENGINEERS, PLANNERS & PRODUCT DESIGN  
 1235 SW 87 AVE  
 MIAMI, FLORIDA 33174  
 TEL. (305) 264-8100 FAX. (305) 262-6978  
 COMP-ANL W03-100ES

---

SERIES-4000 ALUM SLIDING GLASS DOOR (L.M.I.)  
**E.S. WINDOWS**  
 5220 N.W. 72 AVE. BAY #4  
 MIAMI, FL. 33166  
 TEL. (305) 640-9857 FAX. (305) 593-2074

---

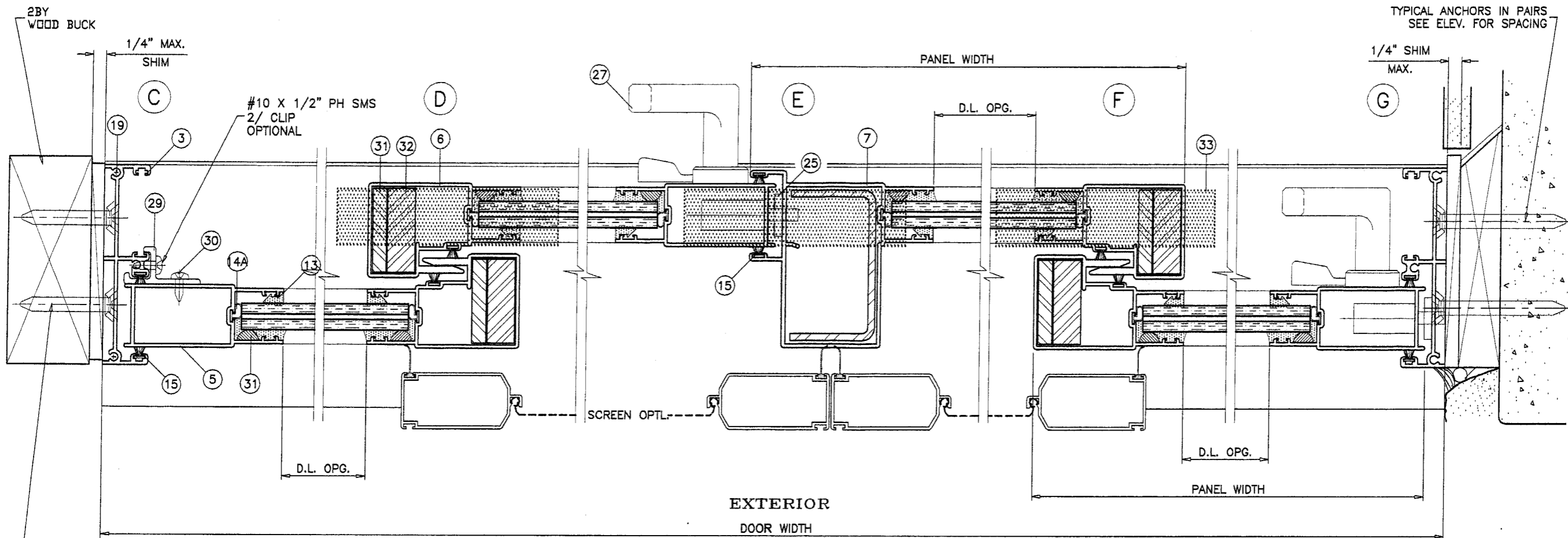
no.	date	description
A	01.22.04	TAPCON MANUF. SPECIFIED
B	11.02.04	SILL DTL. REV.

---

date: 11-08-03  
 scale: 1/2" = 1"  
 dr. by: HAMID  
 chk. by:

---

drawing no.  
**W03-100**  
 sheet 2 of 5

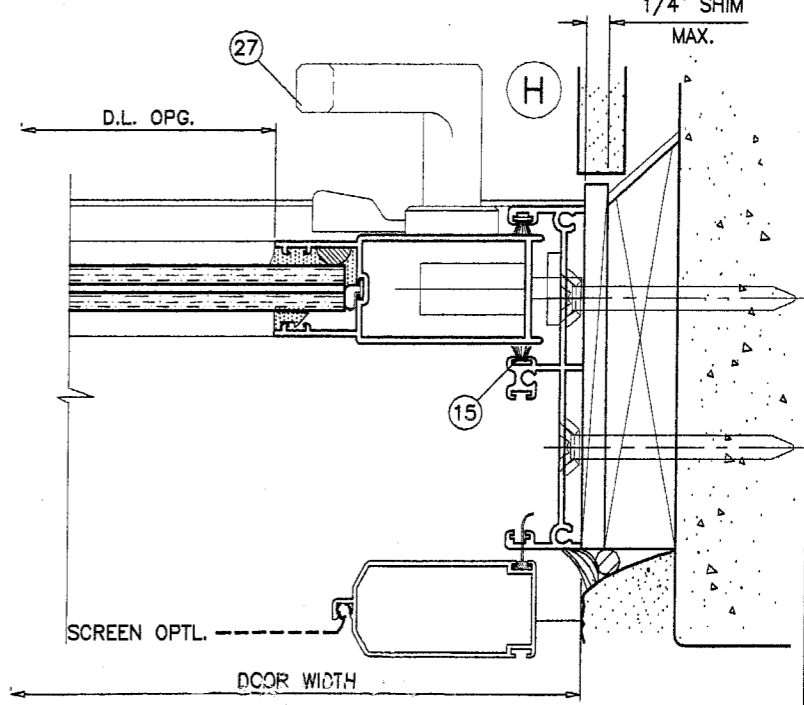


TYPICAL ANCHORS IN PAIRS  
SEE ELEV. FOR SPACING

TYPICAL ANCHORS IN PAIRS  
SEE ELEV. FOR SPACING

TYPICAL ANCHORS IN PAIRS  
SEE ELEV. FOR SPACING

TYPICAL ANCHORS IN PAIRS  
SEE ELEV. FOR SPACING



METAL STRUCTURES  
(STEEL OR ALUM. 1/8" MIN. THICK)  
STEEL : F<sub>y</sub> = 36 KSI MIN.  
ALUMINUM : 6063-T5 MIN.

Engr: DR. HUMAYOUN FAROOQ  
STRUCTURES  
FLA. PE # 16657  
C.A.N. 3536  
  
NOV 15 2004

**PRODUCT REVISED**  
to comply with the Florida  
Building Code  
Acceptance No 04-1117-05  
Expiration Date 02/18/09  
  
By: *[Signature]*  
Miami Dade Product Control  
Division

**AL-FAROOQ CORPORATION**  
ENGINEERS, PLANNERS & PRODUCT DESIGN  
1235 SW 87 AVE  
MIAMI, FLORIDA 33174  
TEL. (305) 264-8100 FAX. (305) 262-6978

SERIES-4000 ALUM SLIDING GLASS DOOR (L.M.I.)  
**E.S. WINDOWS**  
5220 N.W. 72 AVE. BAY #4  
MIAMI, FL. 33166  
TEL. (305) 640-9857 FAX. (305) 593-2074

revisions:	no	date	by description
A	01.22.04		NO CHANGE THIS SHEET
B	11.02.04		JAMB DTL. ADDED

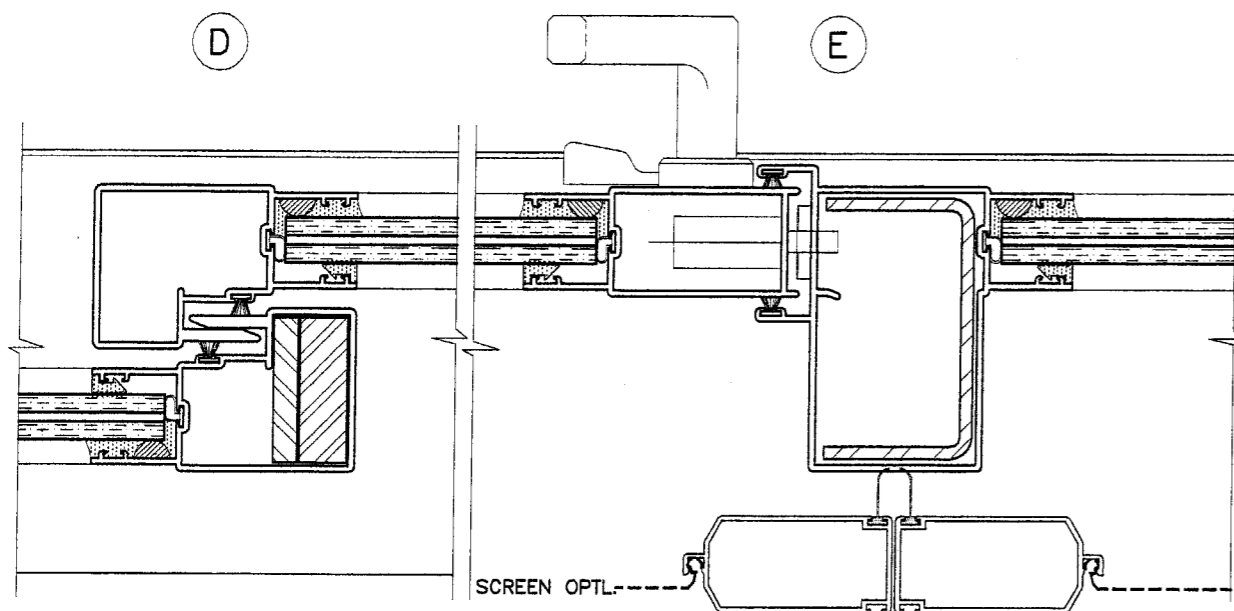
date: 11-08-03  
scale: 1/2" = 1"  
dr. by: HAMID  
chk. by:

drawing no.  
**W03-100**  
sheet 3 of 5

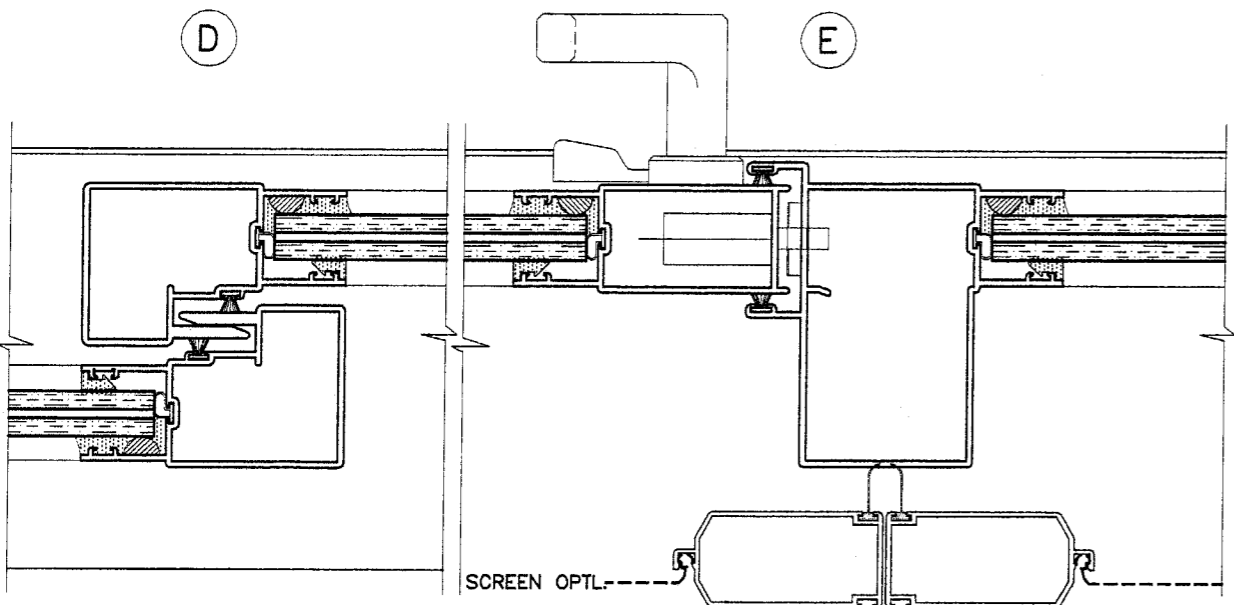


COMP-ANL W03-100ES





MEDIUM REINFORCING



NO REINFORCING

ITEM #	PART #	QUANTITY	DESCRIPTION	MATERIAL	MANF./SUPPLIER/REMARKS
1	ES-4001-1	1	FRAME HEAD	6063-T5	-
2	ES-4002-1	1	STD. FRAME SILL	6063-T5	-
2A	-	1	HI-RISE FRAME SILL	6063-T5	-
3	ES-4003-1	1	FRAME JAMB	6063-T5	-
4	ES-4004-1	2/ PANEL	TOP AND BOTTOM RAIL	6063-T5	-
5	ES-4005-1	AS REQD.	LOCK STILE	6063-T5	-
6	ES-4006-1	AS REQD.	INTERLOCK	6063-T5	-
7	ES-4007-1	AS REQD.	FEMALE ASTRAGAL	6063-T5	-
8	ES-4008	AS REQD.	TOP & BOTTOM RAIL STIFFENER	6063-T6	-
9	ES-4009	2/ PANEL	PANEL GUIDE (TOP ONLY)	CELCON	NOT SHOWN
10	ES-4010	2/ PANEL	RETAINER CLIP, 6" LONG	6063-T5	-
13	ES-4013	AS REQD.	GLAZING WEDGE	-	-
14	ES-4014	AS REQD.	BOTTOM RAIL GLASS STOP	NEOPRENE	-
14A	ES-4019	AS REQD.	SILICONE STOP	NEOPRENE	-
15	W22241NG	AS REQD.	STILE & JAMB W'STRIPPING	-	GLASS PANELS, ULTRAFAB
16	Q26647DK	AS REQD.	TOP RAIL W'STRIPPING	-	GLASS PANELS, ULTRAFAB
17	ES-4015	AS REQD.	BOTTOM RAIL W'STRIPPING	VINYL	GLASS PANELS
19	#10X1-1/4" PH SMS	8/ PANEL	PANEL ASSY SCREWS	-	GLASS PANELS
19A	#10X1" FH SMS	2/ CORNER	FRAME ASSY SCREWS	-	-
20	TA-35-1935-4281	2/ MOV. PANEL	GLASS PANEL ROLLER ASSY.	ST. STEEL	1-1/4" O.D. WHEELS
21	#10X1-1/4" PH SMS	1/ ROLLER	ROLLER INST. SCREWS	-	GLASS PANELS ONLY
23	2300-10SS	1/ MOV. PANEL	MORTISE LOCK	ST. STEEL	-
24	-	2/ LOCK	LOCK INSTALLATION SCREW	-	#6-32 X 1/2" FH MS, ST. STEEL
25	537	1/ LOCK	LOCK STRIKE PLATE	PLATED STEEL	-
26	#10 PH SMS	2/ LOCK	STRIKE PLATE MOUNT. SCREW	-	NOT SHOWN
27	#623Z	1/ LOCK	INTERIOR AND EXTERIOR PULL	-	(3) #6-32 X 1/2" FH MS, ST. STEEL
28	ES4028	AS REQD.	SILL RISER	6063-T5	-
29	ES-4017	2/ PANEL	FIXED PANEL CLIP	6063-T5	-
30	#10X1/2" PH SMS	2/ CLIP	FIXED PANEL CLIP FASTENER	-	-
31	-	AS REQD.	1/4" X 1-1/2" REINFORCING BAR	STEEL	-
32	-	AS REQD.	1/2" X 1-1/2" REINFORCING BAR	STEEL	-
33	-	AS REQD.	1"X4" LONG SELF ADHESIVE PILE PAD	WOOL	AT HEAD AND SILL

Engr: DR. HJIMAYOUN FAROOQ  
STRUCTURES  
FLA. PE # 18657  
C.A.N. 3638

NOV 15 2004

PRODUCT REVISED  
to comply with the Florida  
Building Code  
Acceptance No. 09-1117.05  
Expiration Date 03/18/09  
By: [Signature]  
Miami Glass Product Control  
Division

*afc*

**AL-FAROOQ CORPORATION**  
ENGINEERS, PLANNERS & PRODUCT DESIGN  
1235 SW 87 AVE  
MIAMI, FLORIDA 33174  
TEL. (305) 264-8100 FAX. (305) 262-6978  
COMP-ANL\W03-100ES

---

SERIES-4000 ALUM SLIDING GLASS DOOR (L.M.I.)

**E.S. WINDOWS**  
5220 N.W. 72 AVE. BAY #4  
MIAMI, FL. 33166  
TEL. (305) 640-9857 FAX. (305) 593-2074

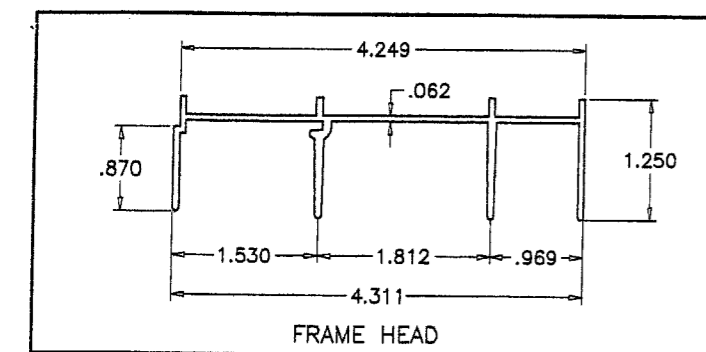
REVISIONS:		no	date	by	description
A	01.22.04				NO CHANGE THIS SHEET
B	11.02.04				HI-RISE SILL ADDED

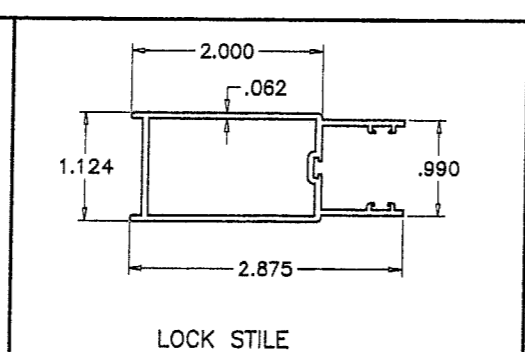
date:	11-08-03
scale:	1/2" = 1"
dr. by:	HAMID
chk. by:	

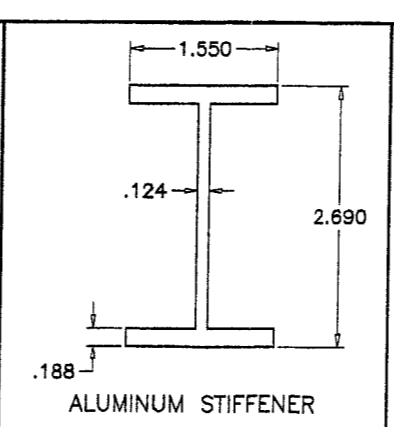
drawing no.	W03-100
sheet	4 of 5



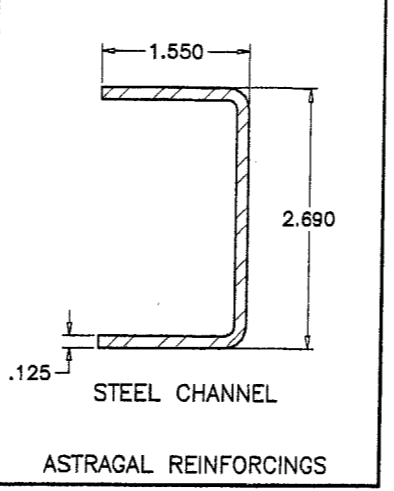
FRAME HEAD



LOCK STILE

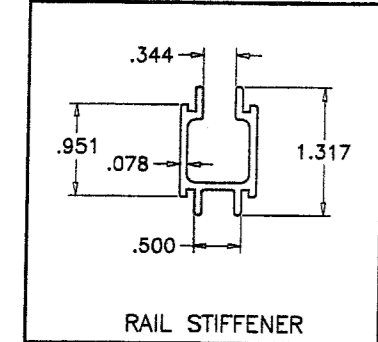


ALUMINUM STIFFENER

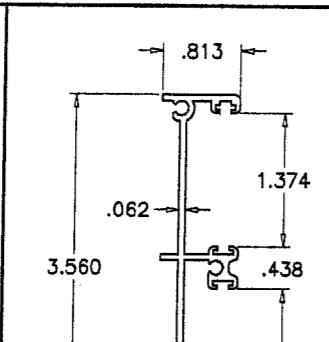


STEEL CHANNEL

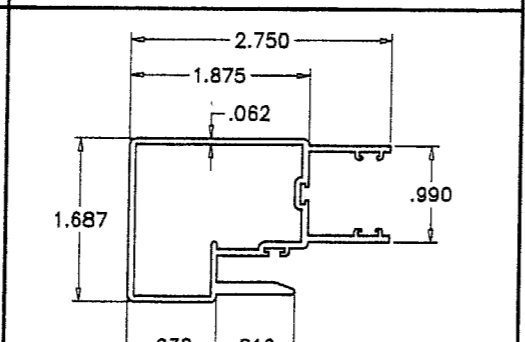
ASTRAGAL REINFORCINGS



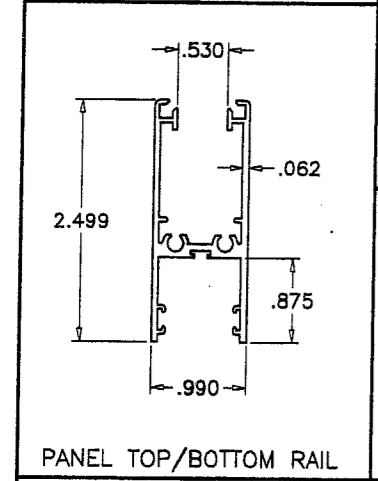
RAIL STIFFENER



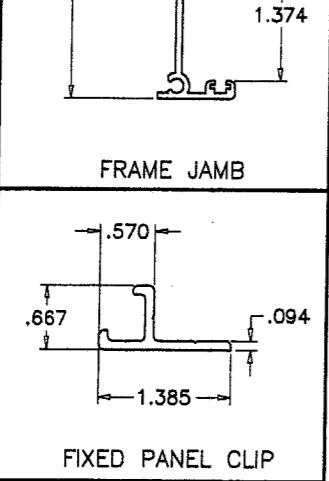
FRAME JAMB



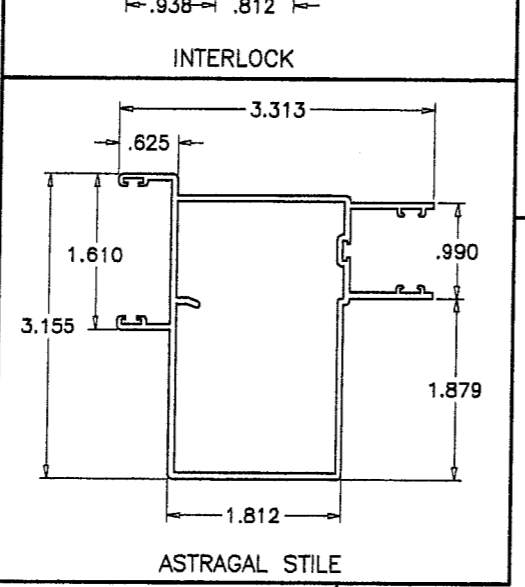
INTERLOCK



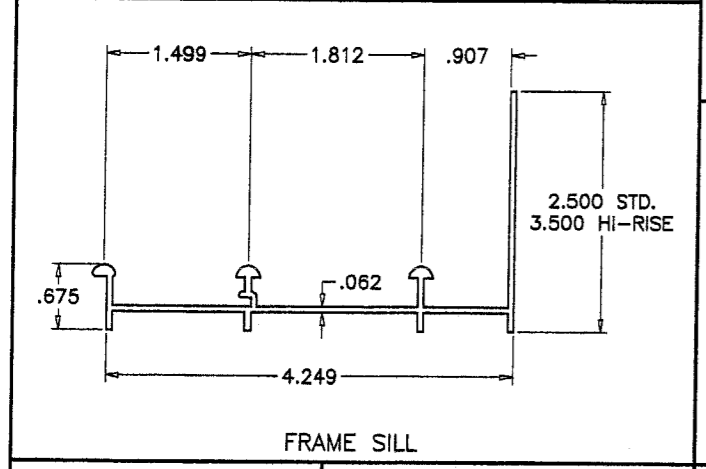
PANEL TOP/BOTTOM RAIL



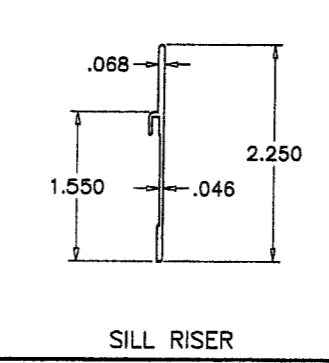
FIXED PANEL CLIP



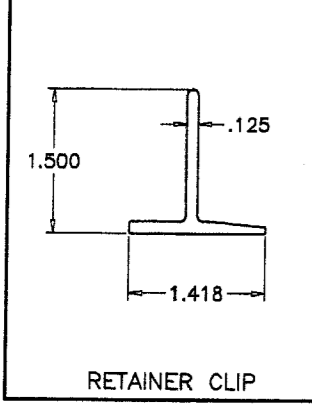
ASTRAGAL STILE



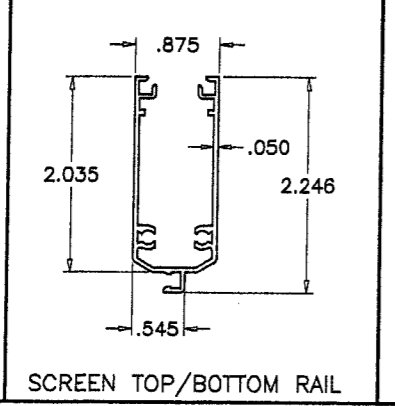
FRAME SILL



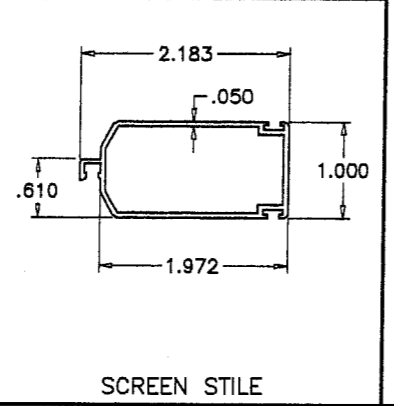
SILL RISER



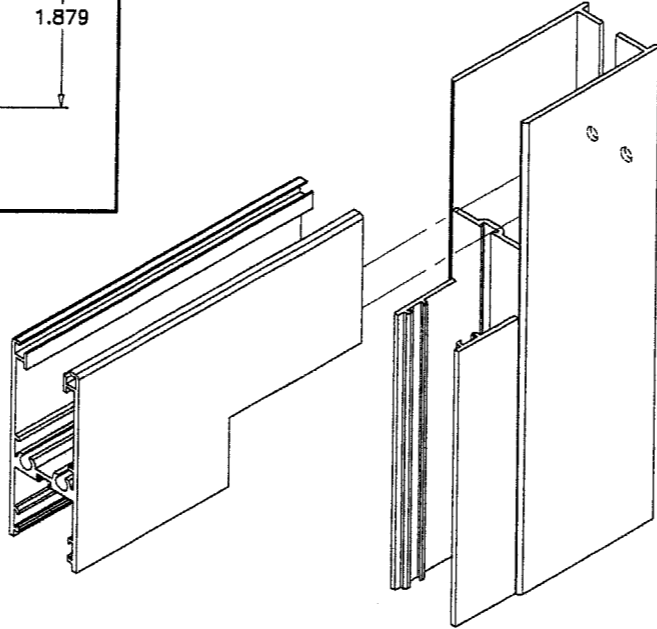
RETAINER CLIP



SCREEN TOP/BOTTOM RAIL

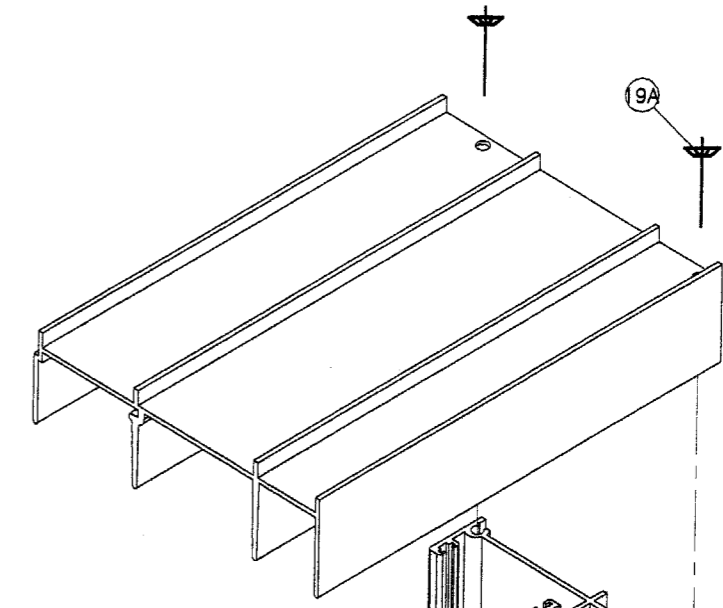


SCREEN STILE

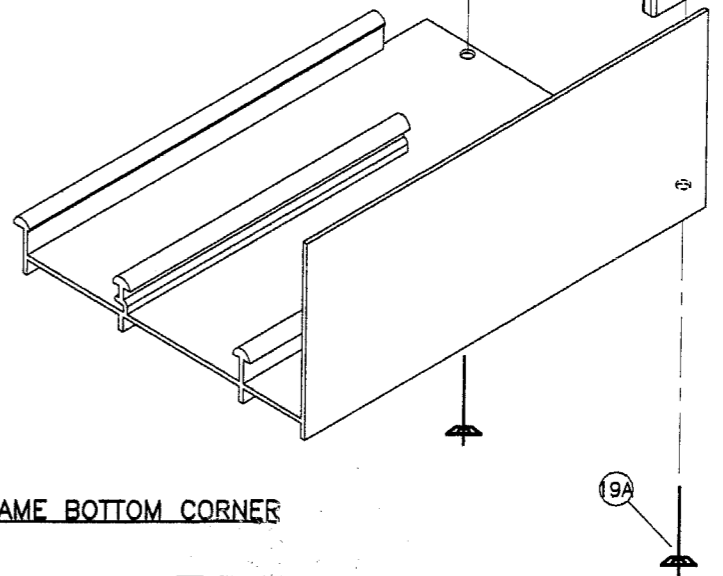


PANEL CORNER

FRAME TOP CORNER



FRAME BOTTOM CORNER



Engr. DR. HUMAYOUN FAROOQ  
STRUCTURES  
FLA. PE # 13557  
C.A.N. 3538

NOV 15 2004

PRODUCT REVISED  
as complying with the Florida  
Building Code  
Acceptance No. 04-1117-05  
Expiration Date 03/18/09

By: *[Signature]*  
Miami Glass Product Control  
Division

**afc**

**AL-FAROOQ CORPORATION**  
ENGINEERS, PLANNERS & PRODUCT DESIGN  
1235 SW 87 AVE  
MIAMI, FLORIDA 33174  
TEL. (305) 264-8100 FAX. (305) 262-6978  
COMP-ANL\W03-100ES

---

SERIES-4000 ALUM SLIDING GLASS DOOR (L.M.I.)

**E.S. WINDOWS**  
5220 N.W. 72 AVE. BAY #4  
MIAMI, FL. 33166  
TEL. (305) 640-9857 FAX. (305) 593-2074

---

no	date	description
A	01.22.04	NO CHANGE THIS SHEET
B	11.02.04	HI-RISE SILL ADDED

---

date: 11-08-03  
scale: 1/2" = 1"  
dr. by: HAMID  
chk. by:

---

drawing no.  
**W03-100**  
sheet 5 of 5