



BUILDING CODE COMPLIANCE OFFICE (BCCO)
PRODUCT CONTROL DIVISION

MIAMI-DADE COUNTY, FLORIDA
METRO-DADE FLAGLER BUILDING
140 WEST FLAGLER STREET, SUITE 1603
MIAMI, FLORIDA 33130-1563
(305) 375-2901 FAX (305) 375-2908

NOTICE OF ACCEPTANCE (NOA)

www.buildingcodeonline.com

E.S. Windows, Inc.
10653 NE Quaybridge Ct.
Miami, FL 33138

SCOPE:

This NOA is being issued under the applicable rules and regulations governing the use of construction materials. The documentation submitted has been reviewed by Miami-Dade County Product Control Division and accepted by the Board of Rules and Appeals (BORA) to be used in Miami Dade County and other areas where allowed by the Authority Having Jurisdiction (AHJ).

This NOA shall not be valid after the expiration date stated below. The Miami-Dade County Product Control Division (In Miami Dade County) and/or the AHJ (in areas other than Miami Dade County) reserve the right to have this product or material tested for quality assurance purposes. If this product or material fails to perform in the accepted manner, the manufacturer will incur the expense of such testing and the AHJ may immediately revoke, modify, or suspend the use of such product or material within their jurisdiction. BORA reserves the right to revoke this acceptance, if it is determined by Miami-Dade County Product Control Division that this product or material fails to meet the requirements of the applicable building code.

This product is approved as described herein, and has been designed to comply with the Florida Building Code, including the High Velocity Hurricane Zone.

DESCRIPTION: Series 1000 Aluminum Single Hung Window - L.M.I.

APPROVAL DOCUMENT: Drawing No. **W03-56**, titled "Series 1000 Alum. Single Hung-Window L.M.I.", sheets 1 through 5 of 5, dated 07/31/03 with revision on 08/03/05, prepared AL-Farooq Corporation, signed and sealed by Humayoun Farooq, P.E., bearing the Miami-Dade County Product Control Revision stamp with the Notice of Acceptance number and expiration date by the Miami-Dade County Product Control Division.

MISSILE IMPACT RATING: Large and Small Missile Impact

LABELING: Each unit shall bear a permanent label with the manufacturer's name or logo, city, state and following statement: "Miami-Dade County Product Control Approved", unless otherwise noted herein.

RENEWAL of this NOA shall be considered after a renewal application has been filed and there has been no change in the applicable building code negatively affecting the performance of this product.

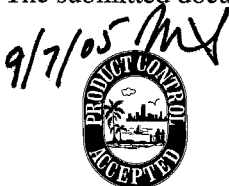
TERMINATION of this NOA will occur after the expiration date or if there has been a revision or change in the materials, use, and/or manufacture of the product or process. Misuse of this NOA as an endorsement of any product, for sales, advertising or any other purposes shall automatically terminate this NOA. Failure to comply with any section of this NOA shall be cause for termination and removal of NOA.

ADVERTISEMENT: The NOA number preceded by the words Miami-Dade County, Florida, and followed by the expiration date may be displayed in advertising literature. If any portion of the NOA is displayed, then it shall be done in its entirety.

INSPECTION: A copy of this entire NOA shall be provided to the user by the manufacturer or its distributors and shall be available for inspection at the job site at the request of the Building Official.

This NOA revises NOA # 03-0910.03 consists of this page 1 and evidence pages E-1 and E-2, as well as approval document mentioned above.

The submitted documentation was reviewed by **Herminio F. Gonzalez, P.E., Director, BCCO**



NOA No 05-0720.01
Expiration Date: November 06, 2008
Approval Date: September 29, 2005
Page 1


NOTICE OF ACCEPTANCE: EVIDENCE SUBMITTED

A. DRAWINGS

1. Manufacturer's die drawings and sections.
2. Drawing No. **W03-56**, titled "Series-1000 Alum Single Hung Window (L.M.I.)", sheets 1 through 4 of 4, prepared by Al Farooq Corporation, dated 07/31/03, with revision date 08/03/05, signed and sealed by Humayoun Farooq, P.E.

B. TESTS

1. Test reports on 1) Air Infiltration Test, per FBC, TAS 202-94
2) Uniform Static Air Pressure Test, Loading per FBC, TAS 202-94
3) Water Resistance Test, per FBC, TAS 202-94
4) Large Missile Impact Test, per FBC, TAS 201-94
5) Cyclic Wind Pressure Loading, per FBC, TAS 203-94
6) Force Entry Test, per FBC 2411 3.2.1 and TAS 202-94
along with marked-up drawings and installation diagram of an aluminum single hung window, prepared by Certified Testing Laboratories, Test Report No. **FTL-03084**, dated 06/09/03, signed and sealed by Joseph Chan, P.E.
"Submitted Under NOA# 03-0910.03"
2. Test reports on 1) Air Infiltration Test, per FBC, TAS 202-94
2) Uniform Static Air Pressure Test, Loading per FBC, TAS 202-94
3) Water Resistance Test, per FBC, TAS 202-94
4) Large Missile Impact Test, per FBC, TAS 201-94
5) Cyclic Wind Pressure Loading, per FBC, TAS 203-94
6) Force Entry Test, per FBC 2411 3.2.1 and TAS 202-94
along with marked-up drawings and installation diagram of an aluminum single hung window, prepared by Certified Testing Laboratories, Test Report No. **FTL-03083**, dated 06/09/03, signed and sealed by Joseph Chan, P.E.
"Submitted Under NOA# 03-0910.03"
3. Test reports on 1) Air Infiltration Test, per FBC, TAS 202-94
2) Uniform Static Air Pressure Test, Loading per FBC, TAS 202-94
3) Water Resistance Test, per FBC, TAS 202-94
4) Force Entry Test, per FBC 2411 3.2.1 and TAS 202-94
along with marked-up drawings and installation diagram of an aluminum single hung window, prepared by Hurricane Engineering & Testing, Inc., Test Report No. **HETI-05-1448**, dated 04/22/05, signed and sealed by Ivonne Ghia, P.E.
4. Test reports on 1) Large Missile Impact Test, per FBC, TAS 201-94
2) Cyclic Wind Pressure Loading, per FBC, TAS 203-94
along with marked-up drawings and installation diagram of an aluminum single hung window, prepared by Hurricane Engineering & Testing, Inc., Test Report No. **HETI-05-1953**, dated 04/25/05, signed and sealed by Ivonne Ghia, P.E.



Herminio F. Gonzalez, P.E.
Director, Building Code Compliance Office

NOA No 05-0720.01

Expiration Date: November 06, 2008

Approval Date: September 29, 2005

E.S. Windows, Inc.

NOTICE OF ACCEPTANCE: EVIDENCE SUBMITTED

C. CALCULATIONS

1. Revised Anchor Calculations, and structural analysis, prepared by AL-Farooq Corporation, dated 08/23/05, signed and sealed by Humayoun Farooq, P.E.
2. Revised Anchor Calculations, and structural analysis, prepared by AL-Farooq Corporation, dated 07/08/05, signed and sealed by Humayoun Farooq, P.E.
3. Anchor Calculations, ASTM-E1300-98 and structural analysis, prepared by Al Farooq Corporation, dated 09/06/03, with revision date 9/25/03, signed and sealed by Humayoun Farooq, P.E.
"Submitted Under NOA# 03-0910.03"

D. MATERIAL CERTIFICATIONS

1. Notice of Acceptance No. **01-1204.01** issued to E.I. Dupont DeNemours for "Sentry Glass (R.) Plus", dated 01/17/02, expiring on 01/14/07.
2. Notice of Acceptance No. **00-1212.04** issued to E.I. Dupont DeNemours for "Dupont Butacite @ PVB", dated 02/15/01, expiring on 12/11/05.

E. QUALITY ASSURANCE

1. Miami-Dade County Building Code Compliance Office

F. STATEMENTS

1. Statement letter of conformance, dated 07/08/05, signed and sealed by Humayoun Farooq, P.E.
2. Statement letter of no financial interest, dated 07/08/05, signed and sealed by Humayoun Farooq, P.E.
3. Laboratory compliance letters for Test Report no. **FTL 03083 and FTL 03084** issued by Fenestration Testing Laboratory, Inc., dated 06/14/03, signed and sealed by Joseph Chan, P.E.
"Submitted Under NOA# 03-0910.03"

G. OTHER

1. Notice of Acceptance No. **03-0910.03**, issued to E.S. Windows, Inc., for "Series 1000 Aluminum Single Hung Window- L.M.I., approved on 11/06/03 and expiring 11/06/08.



Herminio F. Gonzalez, P.E.
Director, Building Code Compliance Office

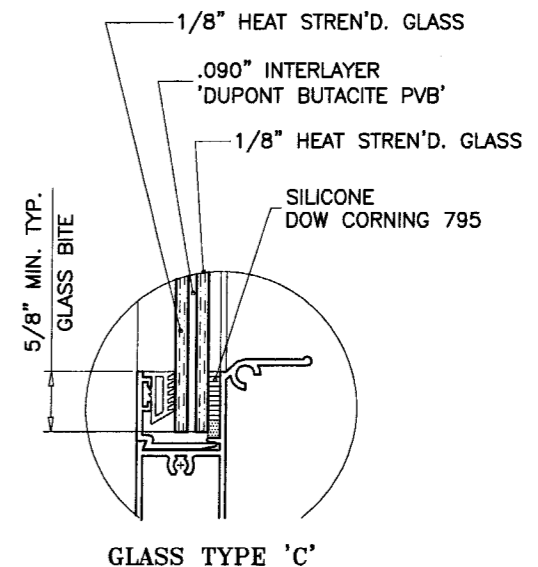
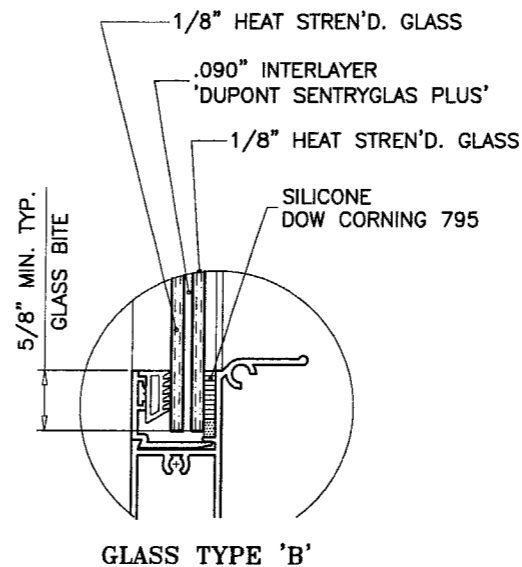
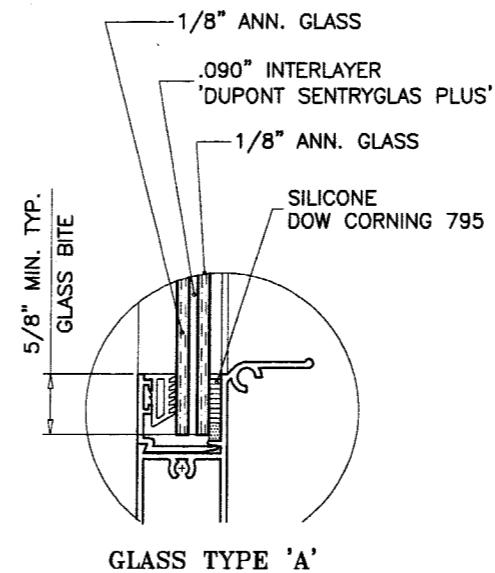
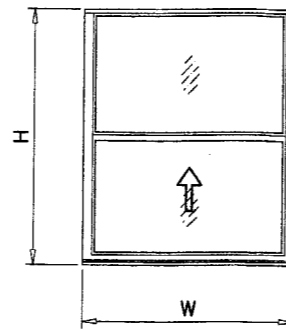
NOA No 05-0720.01

Expiration Date: November 06, 2008

Approval Date: September 29, 2005

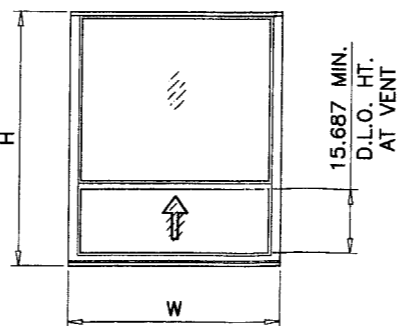
EQUAL LITES WINDOWS DESIGN LOAD CAPACITY - PSF (HI-RISE SILL)									
WINDOW DIMS.		GLASS TYPE 'A'				GLASS TYPE 'B' & 'C'			
		ANCHOR TYPE 'A'		ANCHOR TYPE 'B'		ANCHOR TYPE 'A'		ANCHOR TYPE 'B'	
WIDTH	HEIGHT	EXT.(+)	1NT.(-)	EXT.(+)	1NT.(-)	EXT.(+)	1NT.(-)	EXT.(+)	1NT.(-)
19-1/8"	26" (2)	70.0	80.0	70.0	80.0	80.0	90.0	80.0	90.0
26-1/2"		70.0	80.0	70.0	80.0	80.0	90.0	80.0	90.0
37"		70.0	73.3	70.0	80.0	73.3	73.3	80.0	90.0
48"		58.5	58.5	70.0	80.0	58.5	58.5	80.0	90.0
53-1/8"		53.5	53.5	70.0	80.0	53.5	53.5	80.0	90.0
19-1/8"	38-3/8" (3)	70.0	80.0	70.0	80.0	80.0	90.0	80.0	90.0
26-1/2"		70.0	80.0	70.0	80.0	80.0	89.8	80.0	90.0
37"		69.6	69.6	70.0	80.0	69.6	69.6	80.0	90.0
48"		56.3	56.3	70.0	80.0	56.3	56.3	80.0	90.0
53-1/8"		51.7	51.7	70.0	80.0	51.7	51.7	80.0	90.0
19-1/8"	50-5/8" (4)	70.0	80.0	70.0	80.0	80.0	90.0	80.0	90.0
26-1/2"		70.0	80.0	70.0	80.0	80.0	83.7	80.0	90.0
37"		66.0	66.0	70.0	80.0	66.0	66.0	80.0	90.0
48"		54.0	54.0	70.0	80.0	54.0	54.0	80.0	90.0
53-1/8"		49.8	49.8	70.0	76.2	49.8	49.8	80.0	90.0
19-1/8"	58" (5)	70.0	80.0	70.0	80.0	80.0	90.0	80.0	90.0
26-1/2"		70.0	80.0	70.0	80.0	80.0	87.4	80.0	90.0
37"		69.4	69.4	70.0	80.0	69.4	69.4	80.0	90.0
48"		57.2	57.2	69.2	69.2	57.2	57.2	80.0	90.0
53-1/8"		52.9	52.9	62.0	62.0	52.9	52.9	80.0	90.0
19-1/8"	63" (5)	70.0	80.0	70.0	80.0	80.0	90.0	80.0	90.0
26-1/2"		70.0	78.6	70.0	80.0	78.6	78.6	80.0	90.0
37"		62.4	62.4	70.0	80.0	62.4	62.4	80.0	90.0
48"		51.6	51.6	62.8	62.8	51.6	51.6	80.0	90.0
53-1/8"		47.8	47.8	56.4	56.4	47.8	47.8	80.0	90.0
19-1/8"	74-1/4" (6)	70.0	80.0	70.0	80.0	80.0	90.0	80.0	90.0
26-1/2"		70.0	77.0	70.0	80.0	77.0	77.0	80.0	90.0
37"		60.3	60.3	70.0	70.4	60.3	60.3	80.0	90.0

* NO. IN PARENTHESIS INDICATE NO. OF ANCHORS PER JAMB.
LIMIT EXTERIOR(+) LOADS TO 70.0 PSF FOR STD. SILL.



UNEQUAL LITES (ORIEL TYPES) WINDOWS DESIGN LOAD CAPACITY - PSF (HI-RISE SILL)									
WINDOW DIMS.		GLASS TYPE 'A'				GLASS TYPE 'B' & 'C'			
		ANCHOR TYPE 'A'		ANCHOR TYPE 'B'		ANCHOR TYPE 'A'		ANCHOR TYPE 'B'	
WIDTH	HEIGHT	EXT.(+)	1NT.(-)	EXT.(+)	1NT.(-)	EXT.(+)	1NT.(-)	EXT.(+)	1NT.(-)
19-1/8"	50-5/8" (4)	70.0	80.0	70.0	80.0	80.0	90.0	80.0	90.0
26-1/2"		70.0	80.0	70.0	80.0	80.0	83.7	80.0	90.0
37"		66.0	66.0	70.0	80.0	66.0	66.0	80.0	90.0
48"		54.0	54.0	63.0	63.0	54.0	54.0	80.0	90.0
53-1/8"		49.8	49.8	56.5	56.5	49.8	49.8	80.0	90.0
19-1/8"	58" (5)	70.0	80.0	70.0	80.0	80.0	90.0	80.0	90.0
26-1/2"		70.0	80.0	70.0	80.0	80.0	87.4	80.0	90.0
37"		66.9	66.9	66.9	66.9	69.4	69.4	80.0	90.0
19-1/8"	63" (5)	70.0	80.0	70.0	80.0	80.0	90.0	80.0	90.0
26-1/2"		70.0	78.6	70.0	80.0	78.6	78.6	80.0	90.0
37"		59.0	59.0	59.0	59.0	62.4	62.4	80.0	90.0
19-1/8"	74-1/4" (6)	70.0	80.0	70.0	80.0	80.0	90.0	80.0	90.0
26-1/2"		70.0	77.0	70.0	80.0	77.0	77.0	80.0	90.0

* NO. IN PARENTHESIS INDICATE NO. OF ANCHORS PER JAMB.
LIMIT EXTERIOR(+) LOADS TO 70.0 PSF FOR STD. SILL.



NOTE:
GLASS CAPACITIES ON THIS SHEET
ARE BASED ON ASTM E1300-98 (60 SEC. WIND)

WINDOWS WITH INTERIOR(-) DESIGN PRESSURE MORE
THAN 80 PSF WILL REQUIRE ANCHORS TYPE B.

Engr. DR. HUMAYOON FAROOQ
STRUCTURES
FLA. PE # 16557
C.A.N. 3538

[Signature]

AUG 23 2006

AL-FAROOQ CORPORATION
ENGINEERS, PLANNERS & PRODUCT DESIGN
1235 SW 87 AVE
MIAMI, FLORIDA 33174
TEL. (305) 264-8100 FAX. (305) 262-6978

SERIES-1000 ALUM SINGLE HUNG WINDOW (L.M.I.)
E.S. WINDOWS
5220 N.W. 72 AVE. BAY #4
MIAMI, FL. 33166
TEL. (305) 640-9857 FAX. (305) 593-2074

no	date	description
B	07.11.05	GENERAL REV.
C	08.03.05	REV. PER BCCO COMMENTS

date: 07-31-03
scale: 1/2" = 1"
dr. by: HAMID
chk. by:

drawing no.
W03-56
sheet 2 of 5

PRODUCT REVISED
to comply with the Florida
Building Code
Acceptance No. 05-032001
Expiration Date 11/06/08
By: *[Signature]*
Miami Dade Product Control
Division

no	date	description
A	09.25.03	REV. PER BCCO COMMENTS
B	07.11.05	GENERAL REV.
C	08.03.05	NO CHANGE THIS SHEET

date:	07-31-03
scale:	1/2" = 1"
dr. by:	HAMID
chk. by:	

WOOD BUCKS NOT BY E.S. WINDOWS, MUST SUSTAIN LOADS IMPOSED BY GLAZING SYSTEM AND TRANSFER THEM TO THE BUILDING STRUCTURE.

TYPICAL ANCHORS: SEE ELEV. FOR SPACING

TYPE 'A'- **3/16" TAPCONS**

- INTO 2BY WOOD BUCKS OR WOOD STRUCTURE
 1-3/8" MIN. PENETRATION INTO WOOD
- THRU 1BY BUCKS INTO CONC. OR MASONRY
 1-1/4" MIN. EMBED INTO CONC. OR MASONRY
- DIRECTLY INTO CONC. OR MASONRY
 1-1/4" MIN. EMBED INTO CONC. OR MASONRY

#12 SMS OR SELF DRILLING SCREWS (GRADE 5 CRS)
 INTO METAL STRUCTURES (1/8" MIN. THICKNESS)
 (1/4" MAX. SHIM SPACE)

TYPE 'B'- **1/4" TAPCONS**

- INTO 2BY WOOD BUCKS OR WOOD STRUCTURE
 1-3/8" MIN. PENETRATION INTO WOOD
- THRU 1BY BUCKS INTO CONC. OR MASONRY
 1-1/4" MIN. EMBED INTO CONC. OR MASONRY
- DIRECTLY INTO CONC. OR MASONRY
 1-1/4" MIN. EMBED INTO CONC. OR MASONRY

#14 SMS OR SELF DRILLING SCREWS (GRADE 5 CRS)
 INTO METAL STRUCTURES (1/8" MIN. THICKNESS)
 (1/4" MAX. SHIM SPACE)

#10 SMS OR SELF DRILLING SCREWS
 INTO DADE COUNTY APPROVED MULLIONS
 (NO SHIM SPACE)

SEALANT:

ALL JOINTS AND FRAME CONNECTIONS SEALED WITH SCHNEE MOREHEAD SEAM SEALER SM5504.

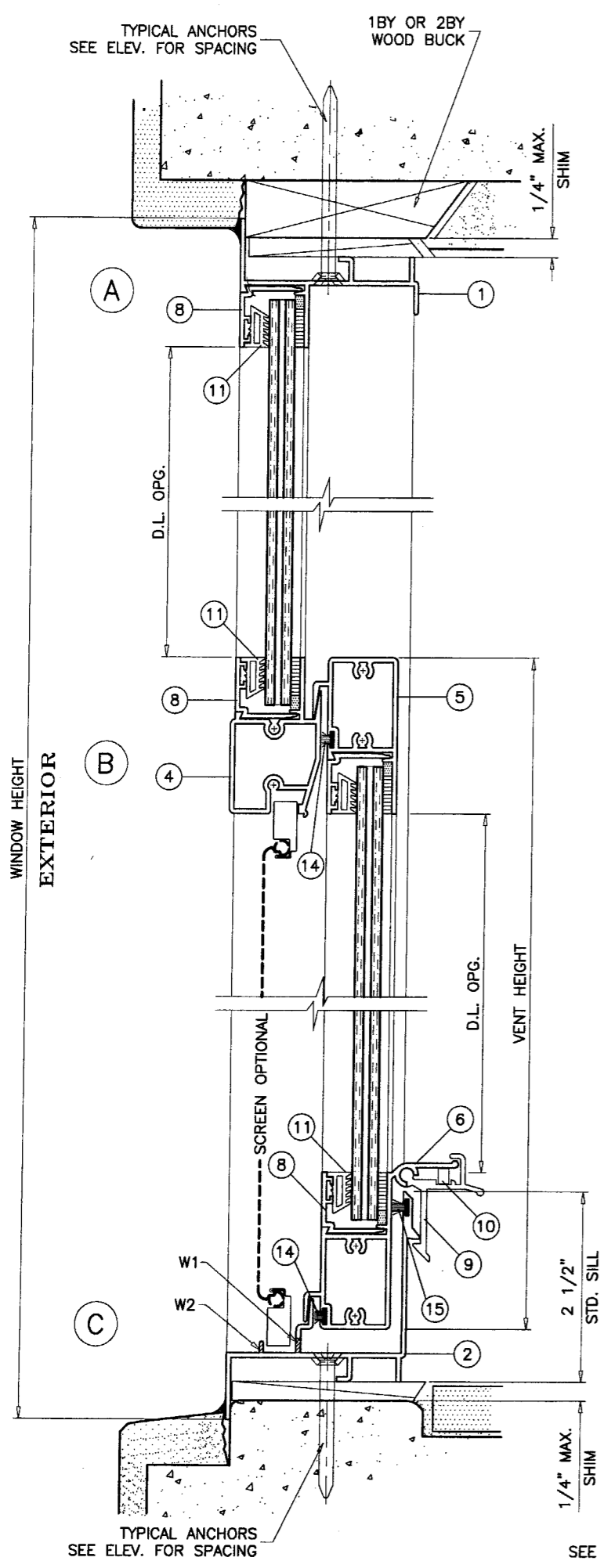
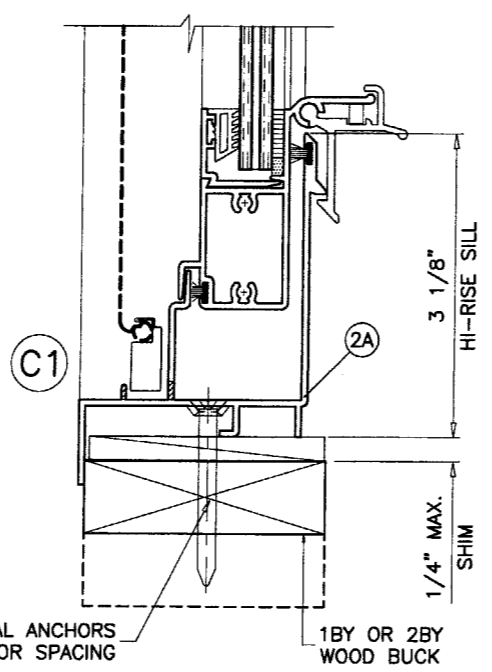
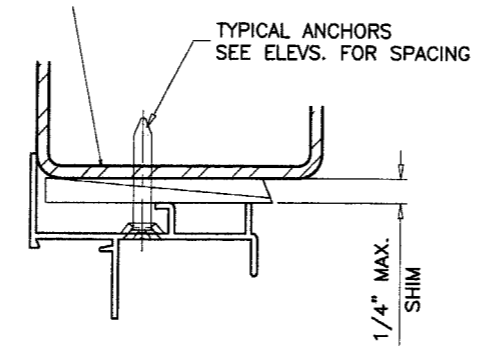
WEEPHOLES:

- W1 = 1-1/2" X 3/16" WEEPHOLES AT 4" FROM EACH END
- W2 = 1-5/16" NOTCH AT EACH END

PRODUCT REVISED
 as complying with the Florida
 Building Code
 Acceptance No **05-0320.01**
 Expiration Date **11/06/08**
 By *[Signature]*
 Miami Dade Product Control
 Division

Engr: DR. HUMAYOON FAROOQ
 STRUCTURES
 FLA. PE # 16557
 C.A.N. 3538
AUG 23 2006

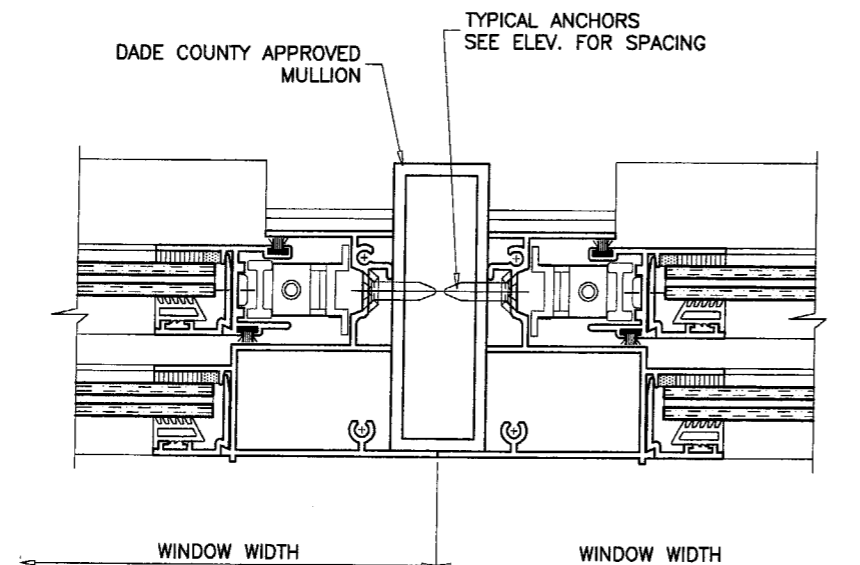
METAL STRUCTURES
 (STEEL OR ALUM. 1/8" MIN. THICK)
 STEEL : Fy = 36 KSI MIN.
 ALUMINUM : 6063-T5 MIN.



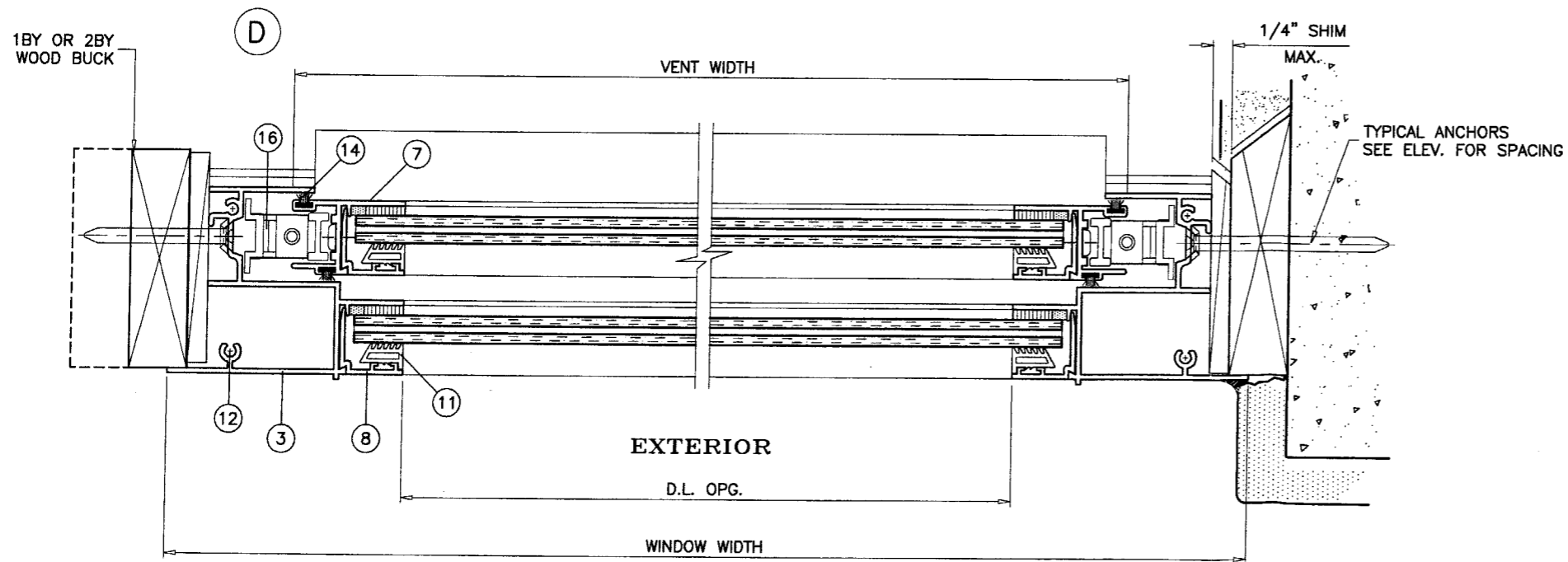
TYPICAL ANCHORS
 SEE ELEV. FOR SPACING

TYPICAL ANCHORS
 SEE ELEV. FOR SPACING

1BY OR 2BY
 WOOD BUCK



ITEM #	PART #	REQD.	DESCRIPTION	MATERIAL	MANF./SUPPLIER/REMARKS
1	ES1001-1	1	FRAME HEAD	6063-T5	-
2	ES1002-1	1	FRAME SILL (STD.)	6063-T5	-
2A	ES1101	1	FRAME SILL (HI-RISE)	6063-T5	-
3	ES1003	2	FRAME JAMB	6063-T5	-
4	ES1005-1	1	FIXED MTG. RAIL	6063-T6	-
5	ES1004-1	1	VENT TOP RAIL	6063-T6	-
6	ES1006-1	1	VENT BOTTOM RAIL	6063-T6	-
7	ES1007-1	2	VENT SIDE RAIL	6063-T5	-
8	ES1008-1	AS REQD.	GLAZING BEAD	6063-T6	-
9	ES1009-1	2/VENT	VENT LATCH @ 6" FROM ENDS	6063-T5	-
10	ES1012	1/LATCH	LATCH SPRING	ST. STEEL	-
11	ES1010	AS REQD.	GLAZING WEDGE	SOFT PVC	-
12	#8 X 1"	20	FRAME & VENT ASSEMBLY SCREWS	CRS	PH SMS
13	ES1011	2/VENT	SASH CAM	CELCON	-
14	43620-187	AS REQD.	PILE W'STRIPPING WITH PLASTIC FIN	-	AMESBURY OR EQUIV.
15	43628-187	AS REQD.	PILE W'STRIPPING WITH PLASTIC FIN	-	AMESBURY OR EQUIV.
16	-	2/VENT	BLOCK & TACKLE BALANCE	-	SERIES 120 BY BSI
17	-	-	-	-	-
18	ES1013-1	2	SASH STOP	-	-
19	-	-	-	-	-
20	-	1	5/16" BOX SCREEN	-	OPTIONAL



PRODUCT REVISED
 to comply with the Florida
 Building Code
 Acceptance No. **05-0720-01**
 Expiration Date **11/06/08**
 By *[Signature]*
 Miami Dade Product Control
 Division

Engr: DR. HUMAYOUN FAROOQ
 STRUCTURES
 FLA. PE # 16557
 C.A.N. 3538

[Signature]
 AUG 23 2008

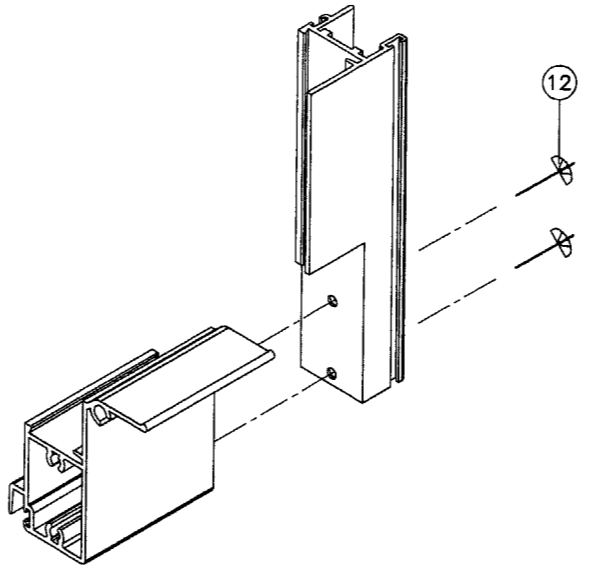
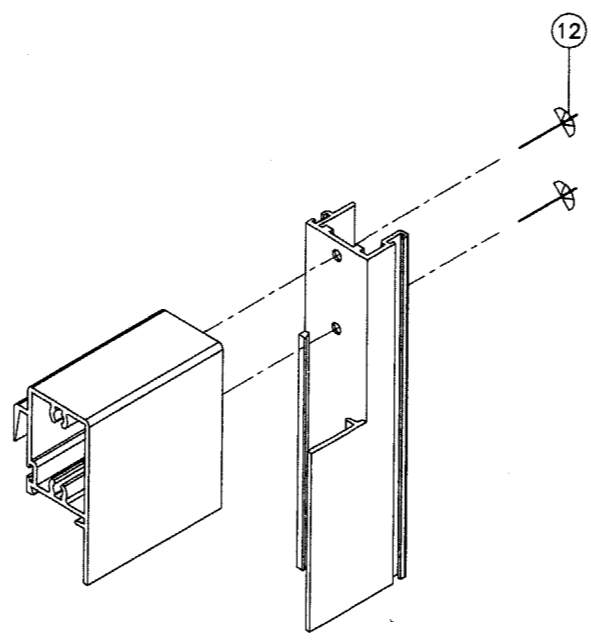
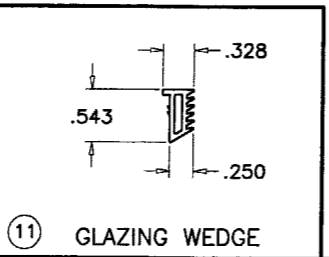
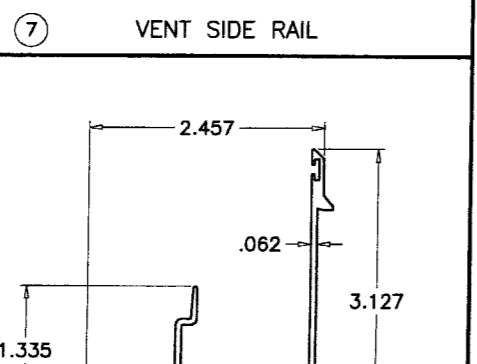
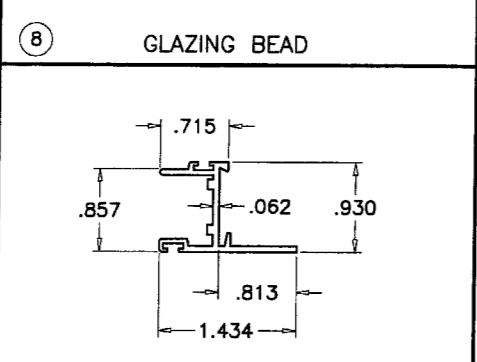
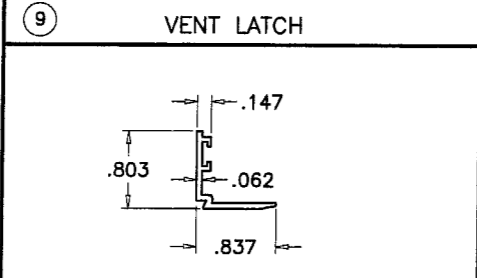
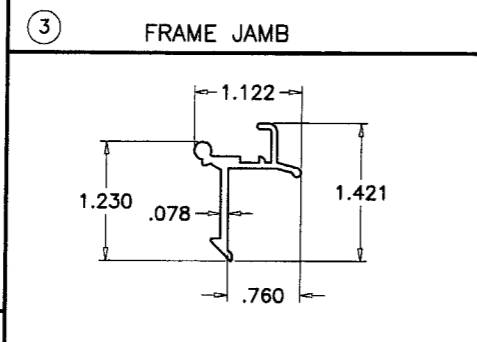
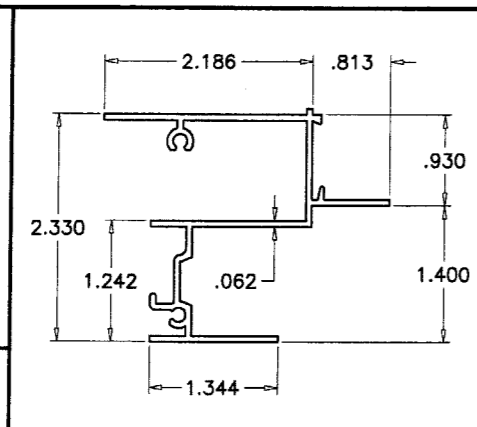
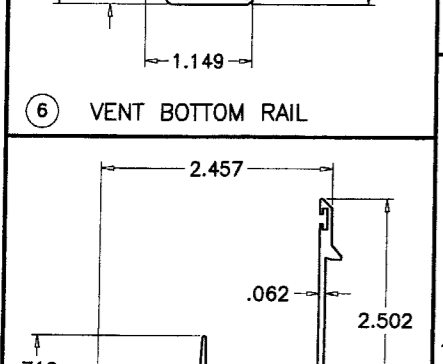
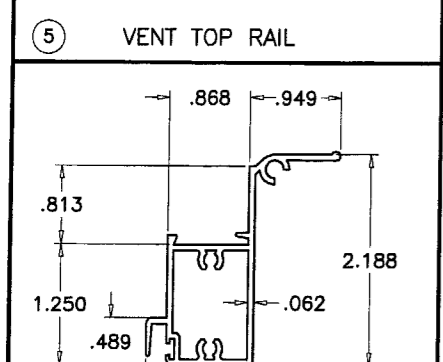
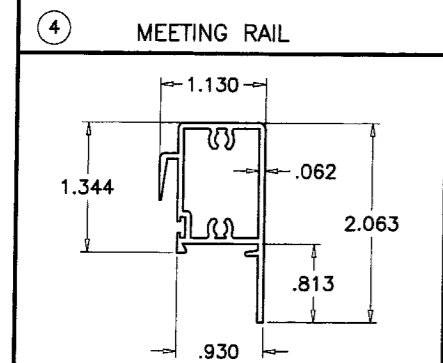
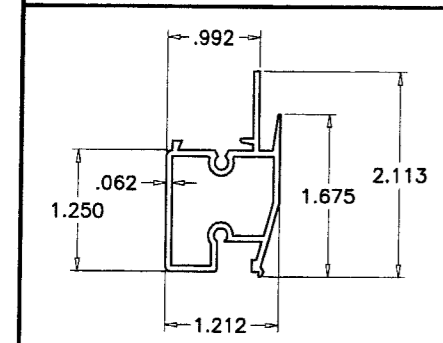
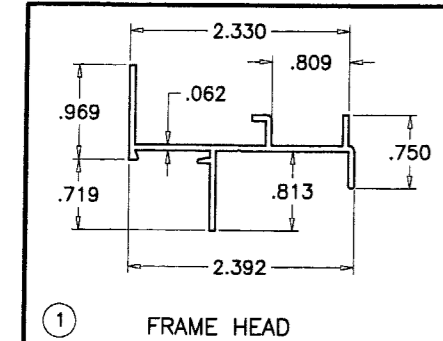
afc
AL-FAROOQ CORPORATION
 ENGINEERS, PLANNERS & PRODUCT DESIGN
 1235 SW 87 AVE
 MIAMI, FLORIDA 33174
 TEL. (305) 264-8100 FAX. (305) 262-6978
 COMP--ANL\W03-56ESW

SERIES-1000 ALUM SINGLE HUNG WINDOW (L.M.I.)
E.S. WINDOWS
 5220 N.W. 72 AVE. BAY #4
 MIAMI, FL. 33166
 TEL. (305) 640-9857 FAX. (305) 593-2074

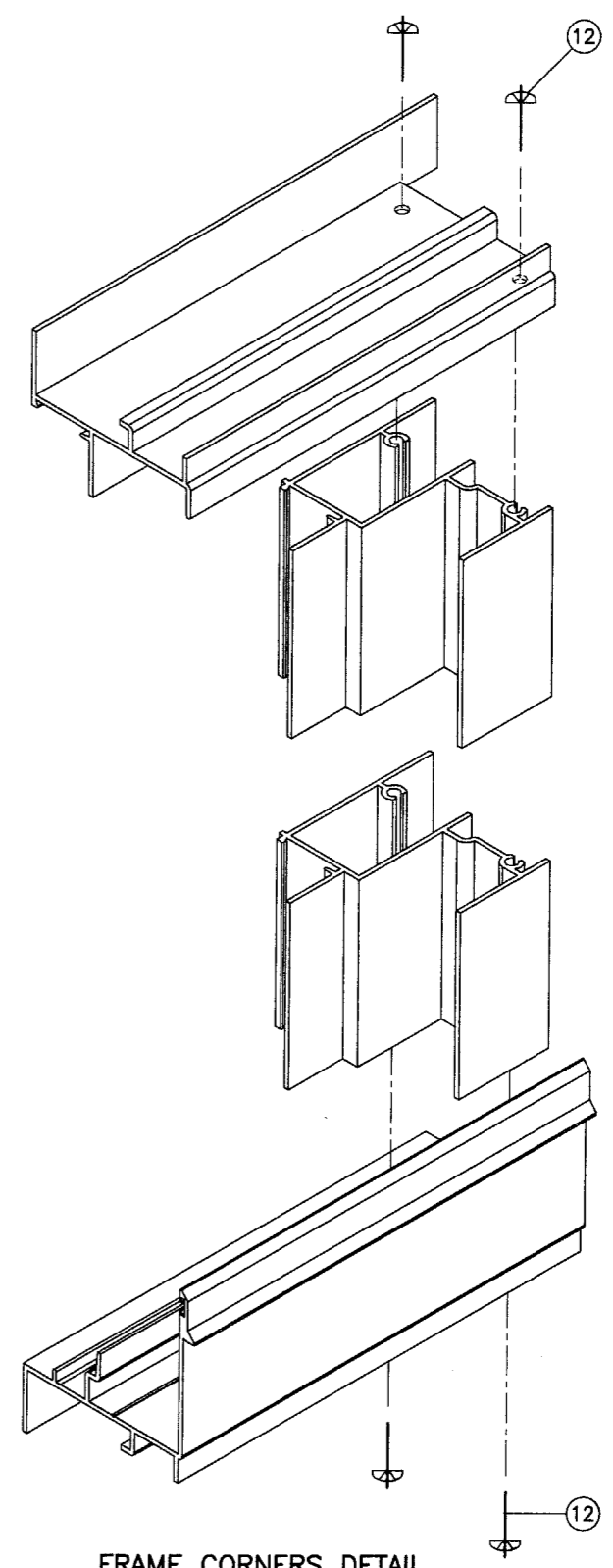
revisions:	no	date	by	description
	A	09.25.03		NO CHANGE THIS SHEET
	B	07.11.05		GENERAL REV.
	C	08.03.05		NO CHANGE THIS SHEET

date: 07-31-03	scale: 1/2" = 1"
dr. by: HAMID	chk. by:

drawing no.	W03-56
sheet 4 of 5	



VENT CORNER DETAIL



FRAME CORNERS DETAIL

PRODUCT REVIEWED
 as complying with the Florida
 Building Code
 Approval No. **05-0720.01**
 Expiration Date **11/06/08**
 By: *[Signature]*
 Miami Dade Product Control
 Division

Engr: DR. HUMAYOUN FAROOQ
 STRUCTURES
 FLA. PE # 16557
 C.A.N. 3538
[Signature]
AUG 23 2005

AL-FAROOQ CORPORATION
 ENGINEERS, PLANNERS & PRODUCT DESIGN
 1235 SW 87 AVE
 MIAMI, FLORIDA 33174
 TEL. (305) 264-8100 FAX. (305) 262-6978

SERIES-1000 ALUM SINGLE HUNG WINDOW (L.M.I.)
E.S. WINDOWS
 5220 N.W. 72 AVE. BAY #4
 MIAMI, FL. 33166
 TEL. (305) 640-9857 FAX. (305) 593-2074

no	date	description
A	09.25.03	NO CHANGE THIS SHEET
B	07.11.05	GENERAL REV.
C	08.03.05	NO CHANGE THIS SHEET

date: 07-31-03
 scale: 1/2" = 1"
 dr. by: HAMID
 chk. by:

drawing no.
W03-56

sheet 5 of 5



COMP-ANL\W03-56ESW